



Direct Set W3500

(rev. 04.24.13)

Direct Set W3500

Section Contents

Section Contents.....	2
Product Overview	3
Introduction.....	3
Wood Species	3
Glazing Options.....	3
Other Options.....	3
Product Parameters	3
Exterior Elevation.....	4
Head Detail.....	5
Sill Detail.....	6
Typical Jamb Detail	7
Contemporary SDL Detail	8

Product Overview



Introduction

The Direct Set W3500 window (all-wood) is the foundation of our window line – at once elegant and distinctive, with a narrow sightlines and a multitude of options to allow you to define your own perfect “picture window”. Direct set windows have a jamb only and their glass glazed directly into the frame, which maximizes the light and view.

Configure your direct set window with numerous glazing options, grid patterns, and a variety of shapes and sizes. Every window we sell is crafted with the signature Pacific Architectural Millwork quality that adds long-lasting beauty and value to any environment.

Wood Species

Our standard wood species are the following:



- Pine
- Vertical Grain Douglas Fir
- African Mahogany

Alternative and exotic wood species are also available. See the Wood Species page in the General Info section.

Product Parameters

Min Frame Height	12"
Max Frame Height	144"
Min Frame Width	12"
Max Frame Width	144"
Total Sq. Ft.	≤ 18 sq. ft. of Glass
Min Jamb Depth	4-9/16"
Edge Detail	Exterior: See Section Details Interior: Traditional or Contemporary edge detail

Glazing Options

Standard glazing for the Direct Set W3500 is 5/8" overall insulated glass.

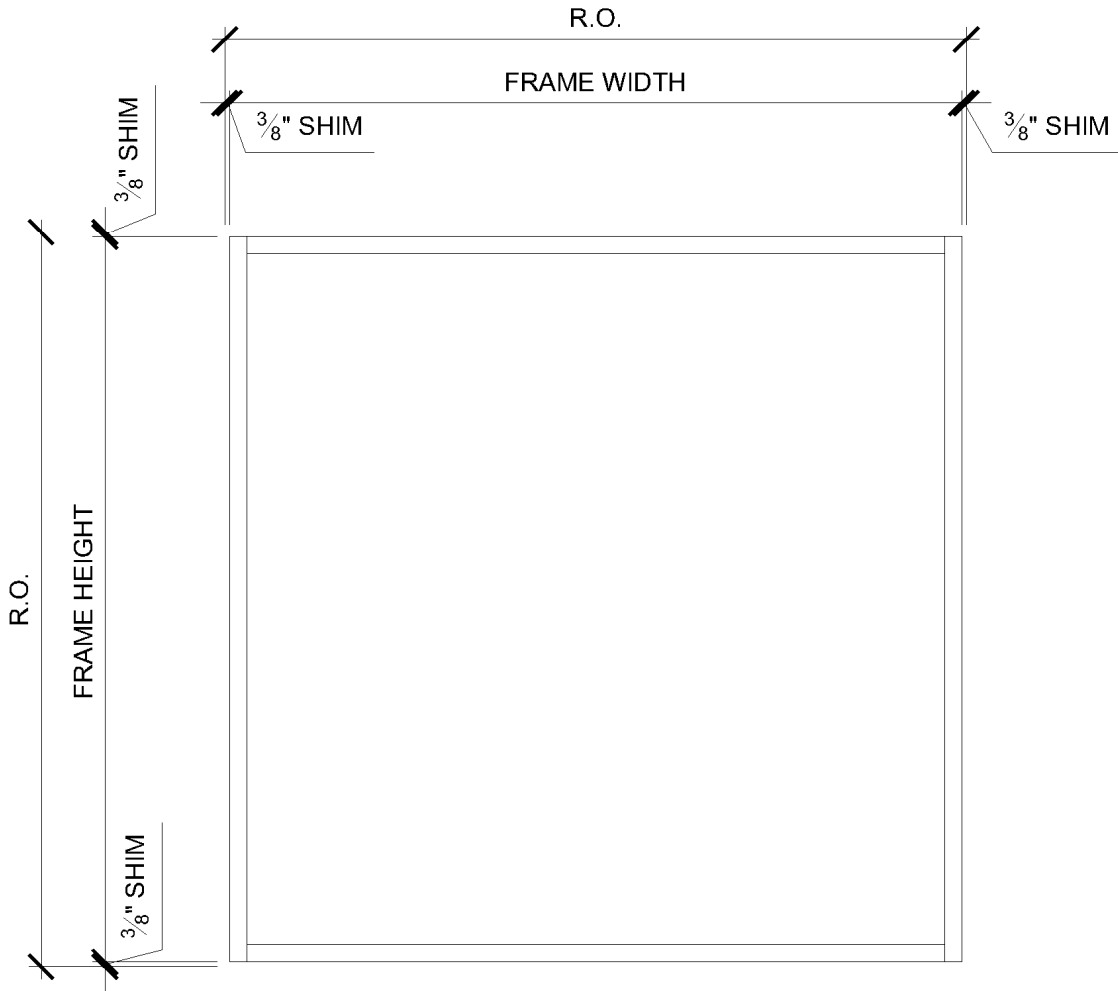
Custom glazing and tinted glass are available.

Other Options

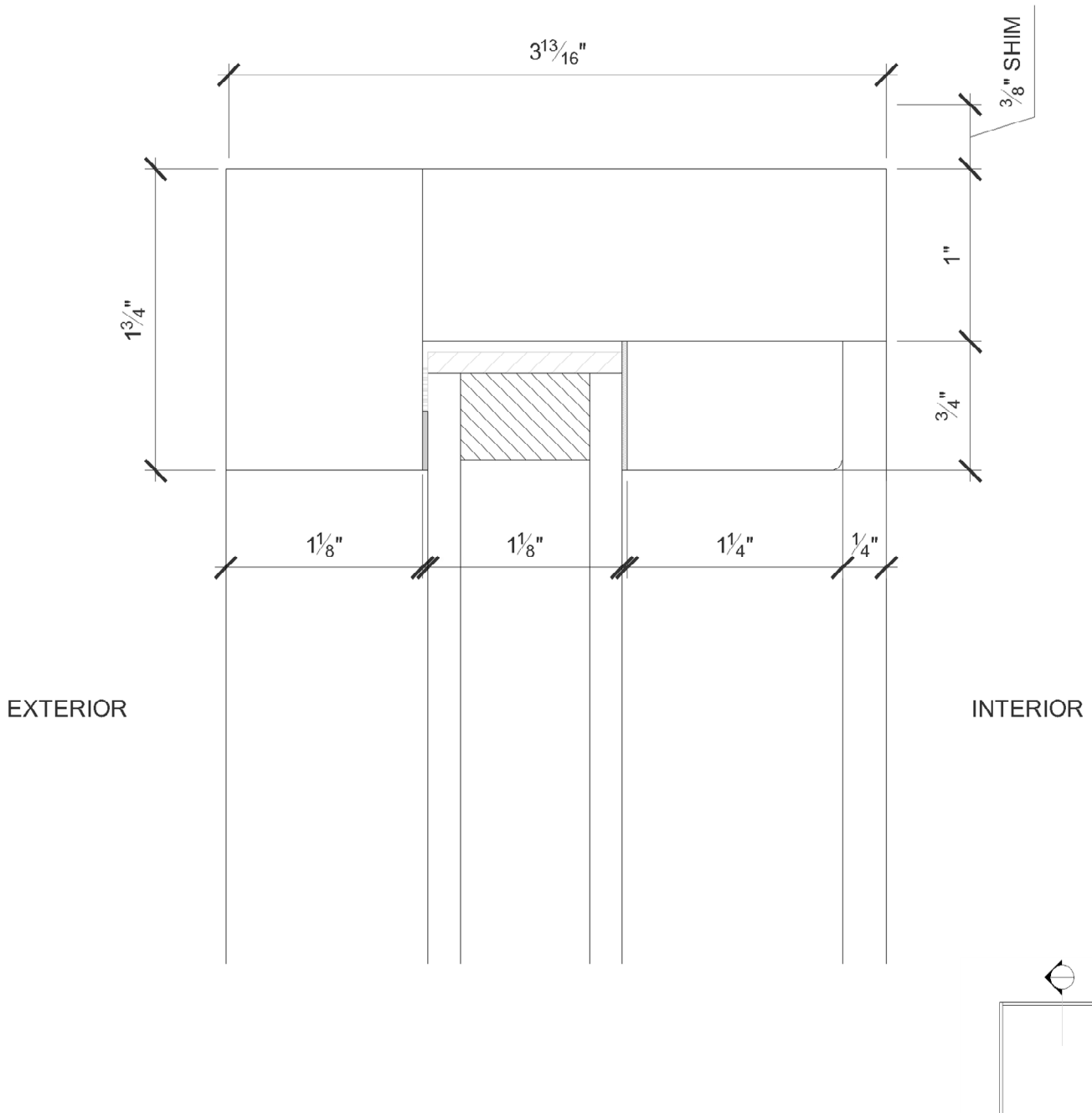
The Direct Set W3500 can be purchased with additional options such as exterior trim and/or divided lites, and can be made in custom geometric or radius shapes.

Contact Pacific Architectural Millwork for additional options and customization.

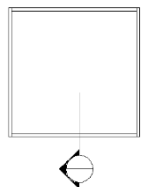
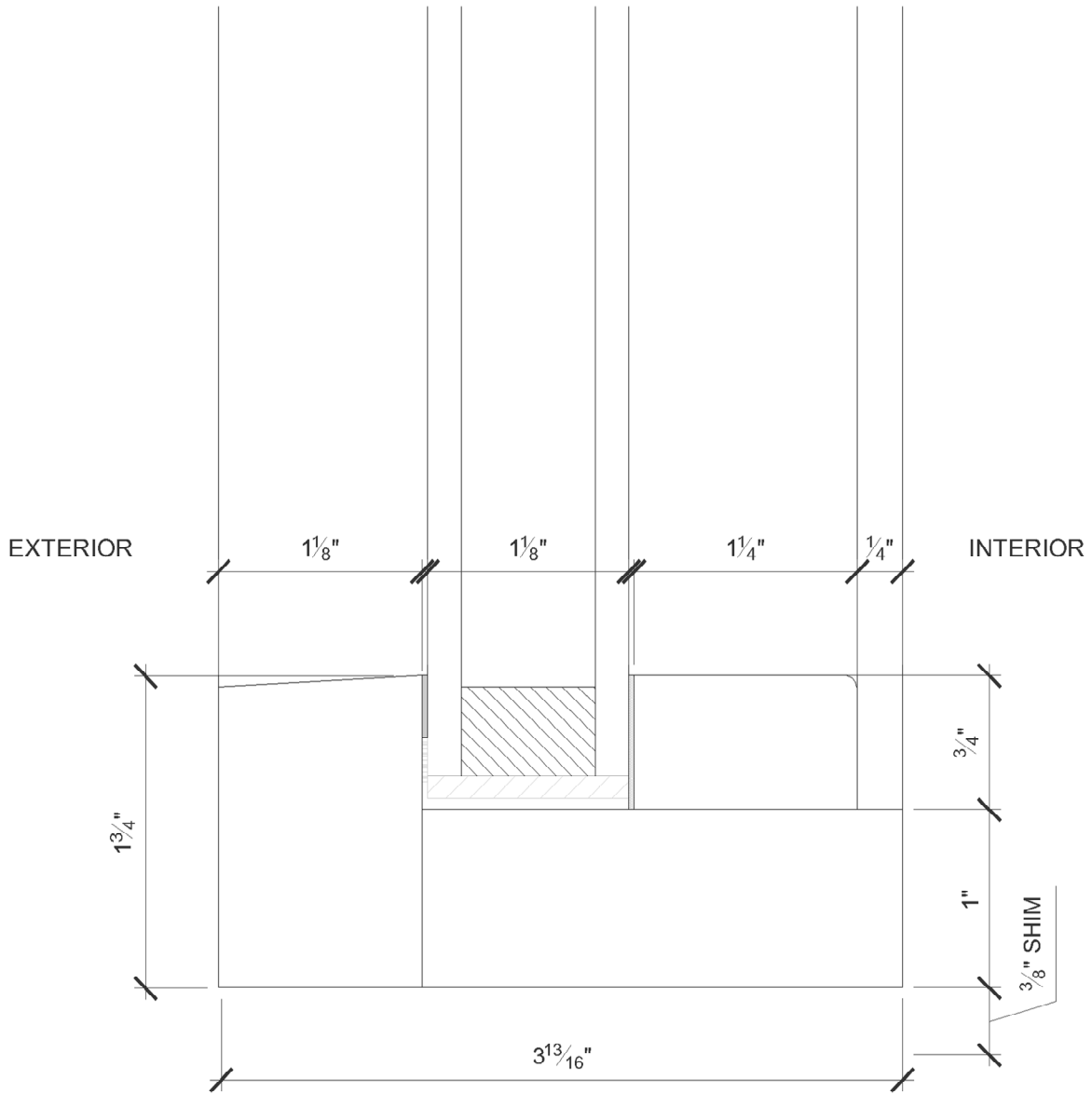
Exterior Elevation



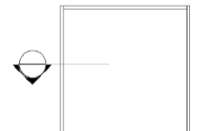
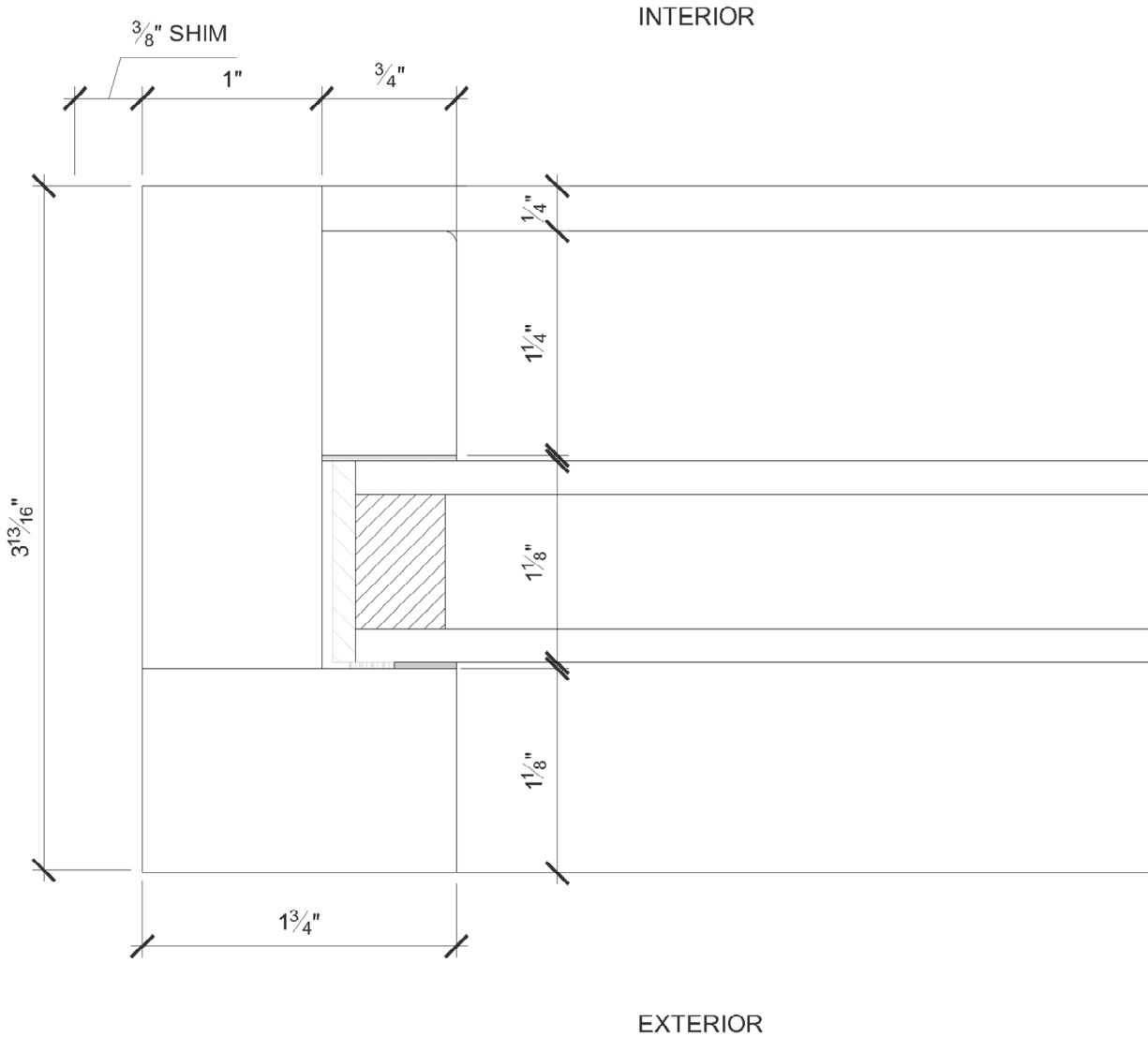
Head Detail



Sill Detail



Typical Jamb Detail



Contemporary SDL Detail

