



# **Slimline Euro Inswing Door WA8400**

(rev. 08.12.15)

# Slimline Euro Inswing Door WA8400

## Section Contents

Product Overview .....	3
Introduction .....	3
Hardware Options .....	3
Glazing Options .....	3
Wood Species .....	3
Other Options.....	3
Hardware Images .....	3
Product Parameters .....	3
Single Hinged Inswing: Exterior Elevation.....	4
Double Hinged Inswing: Exterior Elevation.....	5
Euro Inswing: Head Detail.....	6
Euro Inswing: Sill Detail.....	7
Euro Inswing: Jamb Detail (Strike Side).....	8
Euro Inswing: Jamb Detail (Hinge Side) .....	9
Euro Inswing: Meeting Detail.....	10
Fixed Euro Inswing: Head Detail .....	11
Fixed Euro Inswing: Sill Detail .....	12
Fixed Euro Inswing: Typical Jamb Detail .....	13
Fixed Euro Inswing: Meeting Detail .....	14
Contemporary SDL Detail.....	15

# Product Overview

## Introduction

The Slimline Euro Inswing Door WA8400 combines the clean, minimal sight lines of all-aluminum or steel doors with the natural beauty and superior thermal performance of wood. This contemporary stile-and-rail door is clad on the exterior with durable, heavy-gauge extruded aluminum and finished with a custom color-matched Kynar paint, for reduced maintenance and maximum protection against fading and corrosion. Each door is pre-hung and precision-built by master craftsmen, resulting in premium quality and beauty you can see and feel.

This “Euro” version of the Slimline Inswing Door refers to the European-style frame and panel construction, with its slimmer, fixed jamb depth and additional gasket layers for improved weather performance. The Slimline Door is available in both single and double door configurations. See relevant product ADMs for more details regarding Slimline Doors with outswing or “Standard” inswing operation.

## Hardware Options

Doors are pre-hung on brass hinges, in either Oil-Rubbed Bronze or Satin Nickel finish.

Due to the narrow stiles, handle and escutcheon options are limited. Contact Pacific Architectural Millwork for more details.

## Glazing Options

Standard glazing for the optional glass panel uses 1 1/8” overall tempered insulated glass. Custom glazing, tinted glass, and clad panels are also available.

Due to the narrow stiles and rails, the interior wood edge detail and exterior clad profile is Contemporary only.

## Wood Species

Our standard wood species are the following:





- Pine
- Vertical Grain Douglas Fir
- African Mahogany

Ask for FSC®-certified products. Alternative and exotic wood species are also available.

## Other Options

Contact Pacific Architectural Millwork for additional options and customization.

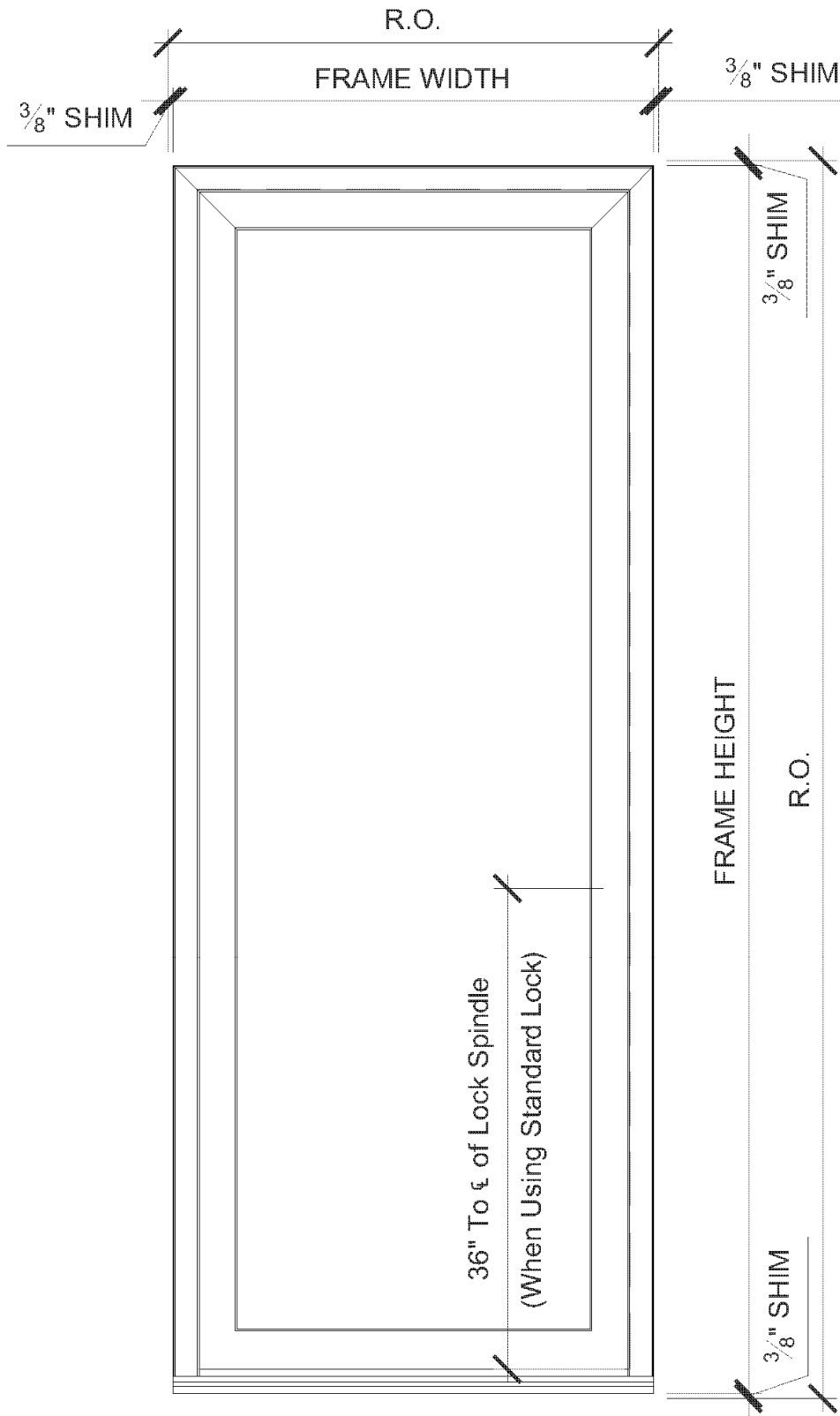
## Hardware Images

	
<b>London Handle</b> (Standard)	<b>Verona Handle</b> (Optional)
<ul style="list-style-type: none"> <li>• Silver</li> <li>• Grey Brown</li> <li>• Traffic White</li> </ul>	<ul style="list-style-type: none"> <li>• Resista Brass</li> <li>• Oil-Rubbed Brass</li> <li>• Satin Nickel</li> </ul>

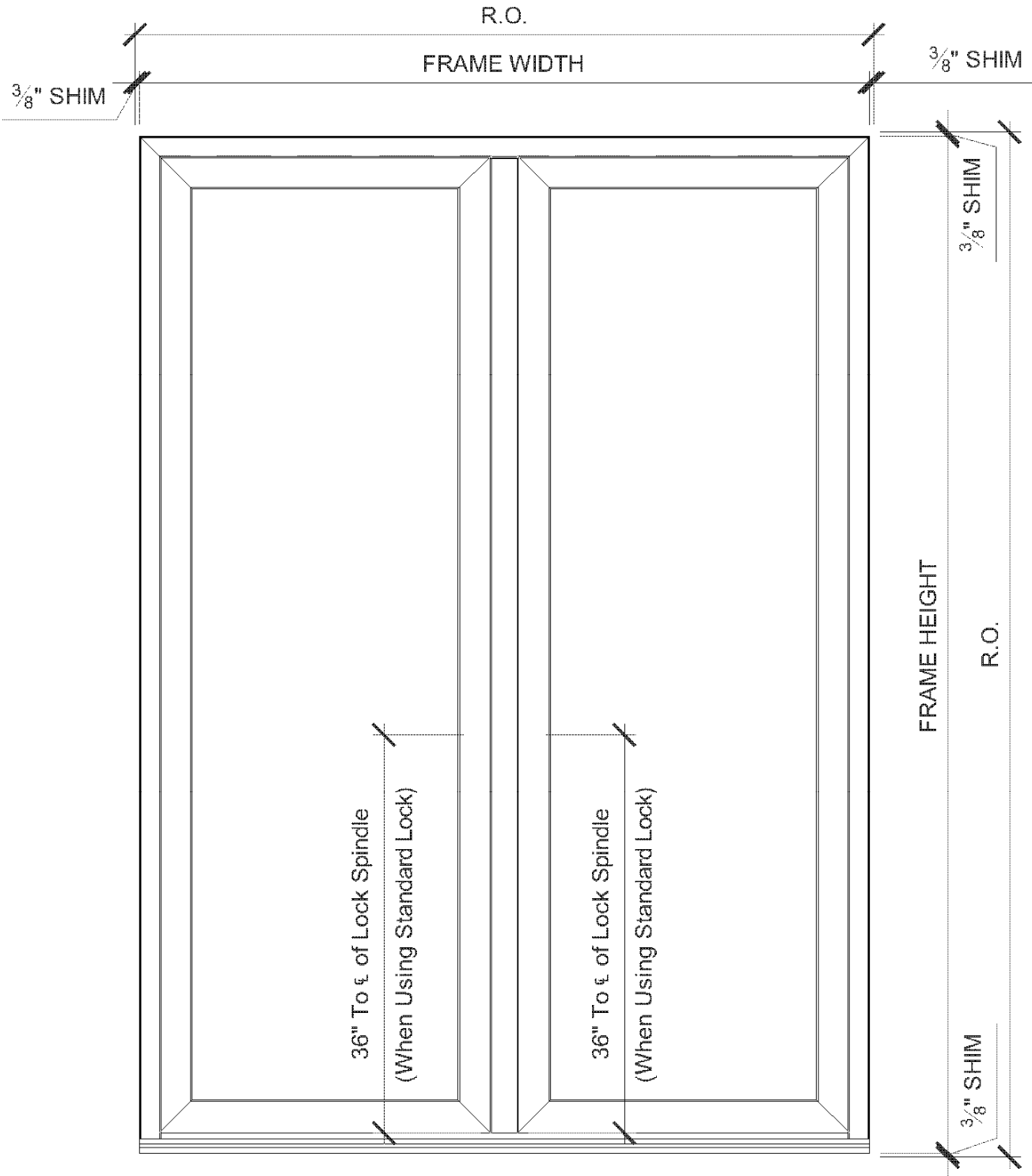
## Product Parameters

<b>Max Frame Height</b>	120”
<b>Max Frame Width</b>	43 3/4”
<b>Min Frame Height</b>	66”
<b>Min Frame Width</b>	20”
<b>Panel Thickness</b>	3-5/16”
<b>Stile/Rail Width</b>	3-15/16” (In-Swing)
<b>Min Jamb Depth</b>	In-Swing: 2-5/8” (behind nail fin)

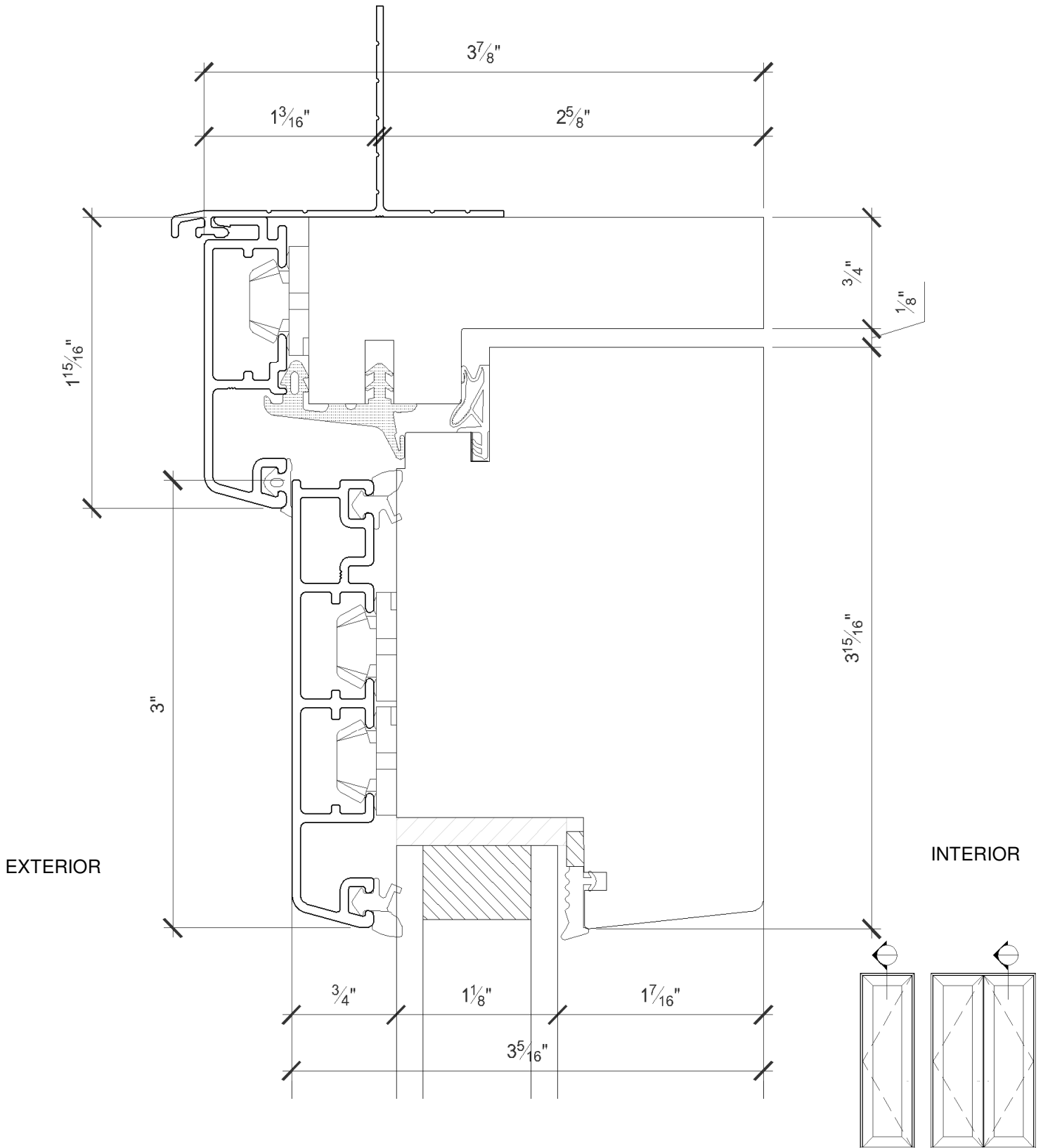
# Single Hinged Inswing: Exterior Elevation



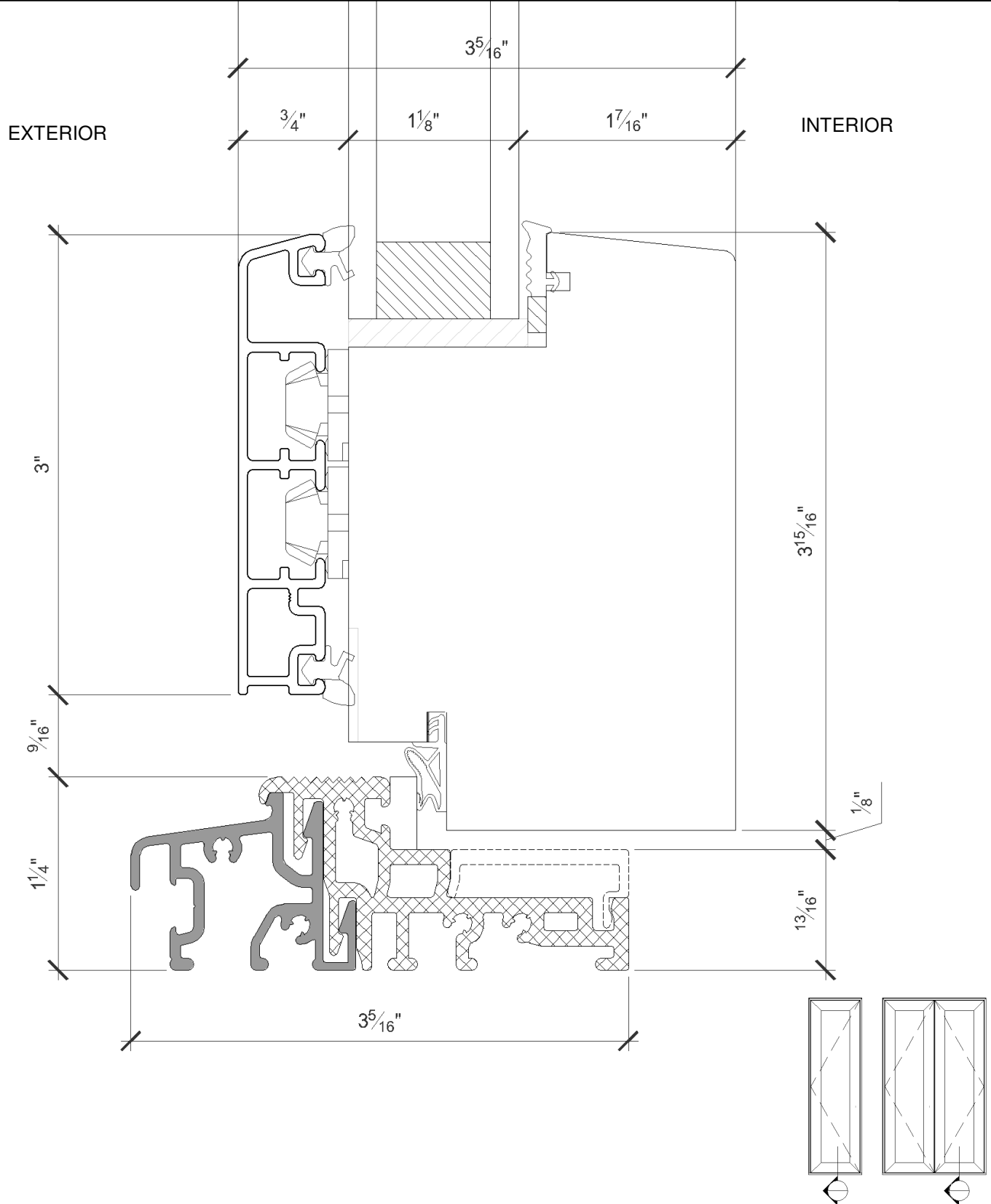
# Double Hinged Inswing: Exterior Elevation



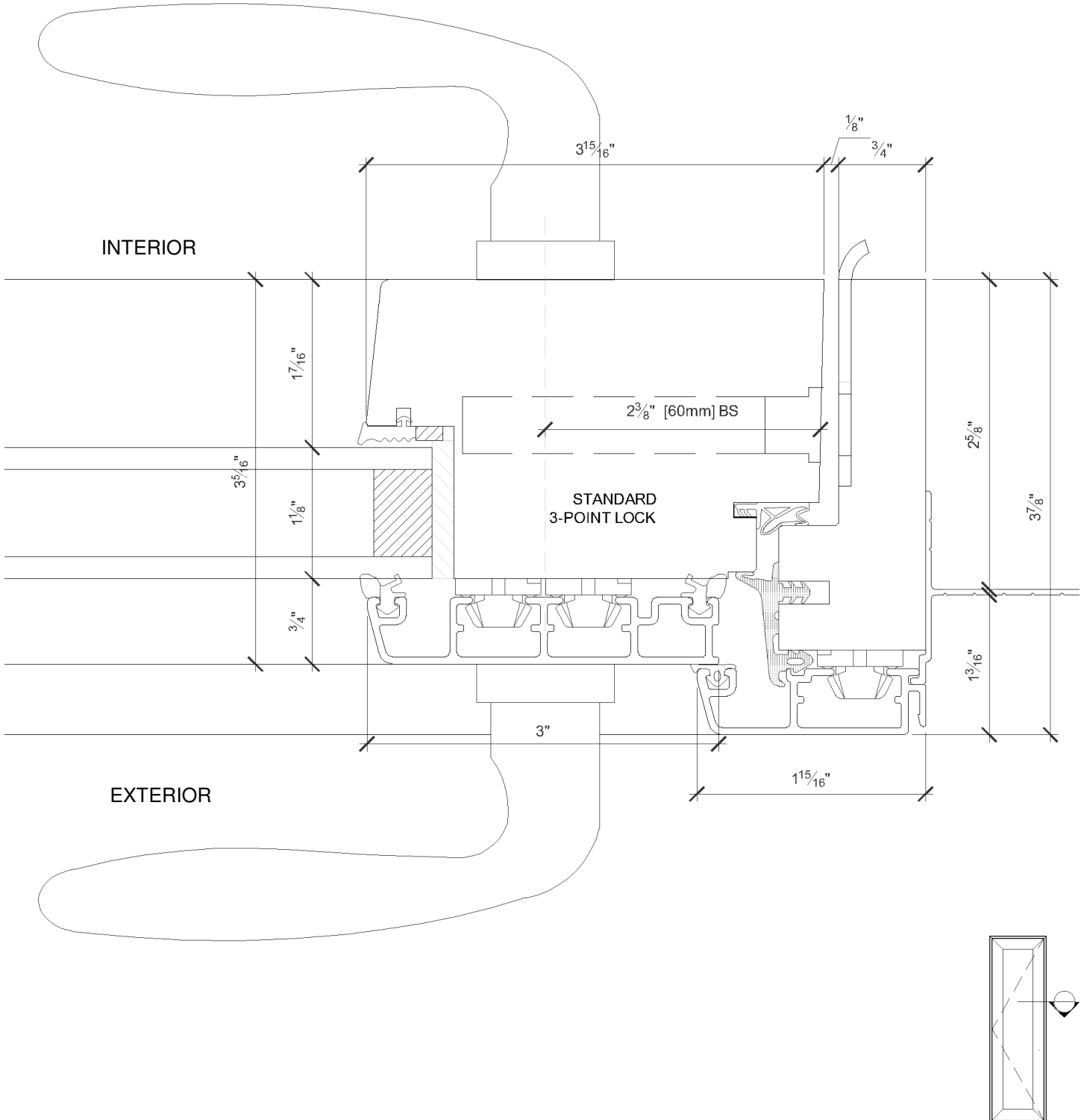
# Euro Inswing: Head Detail



# Euro Inswing: Sill Detail

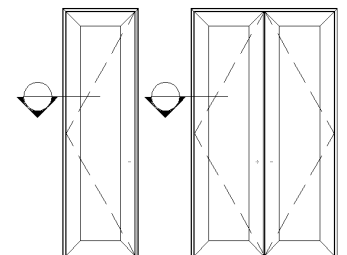
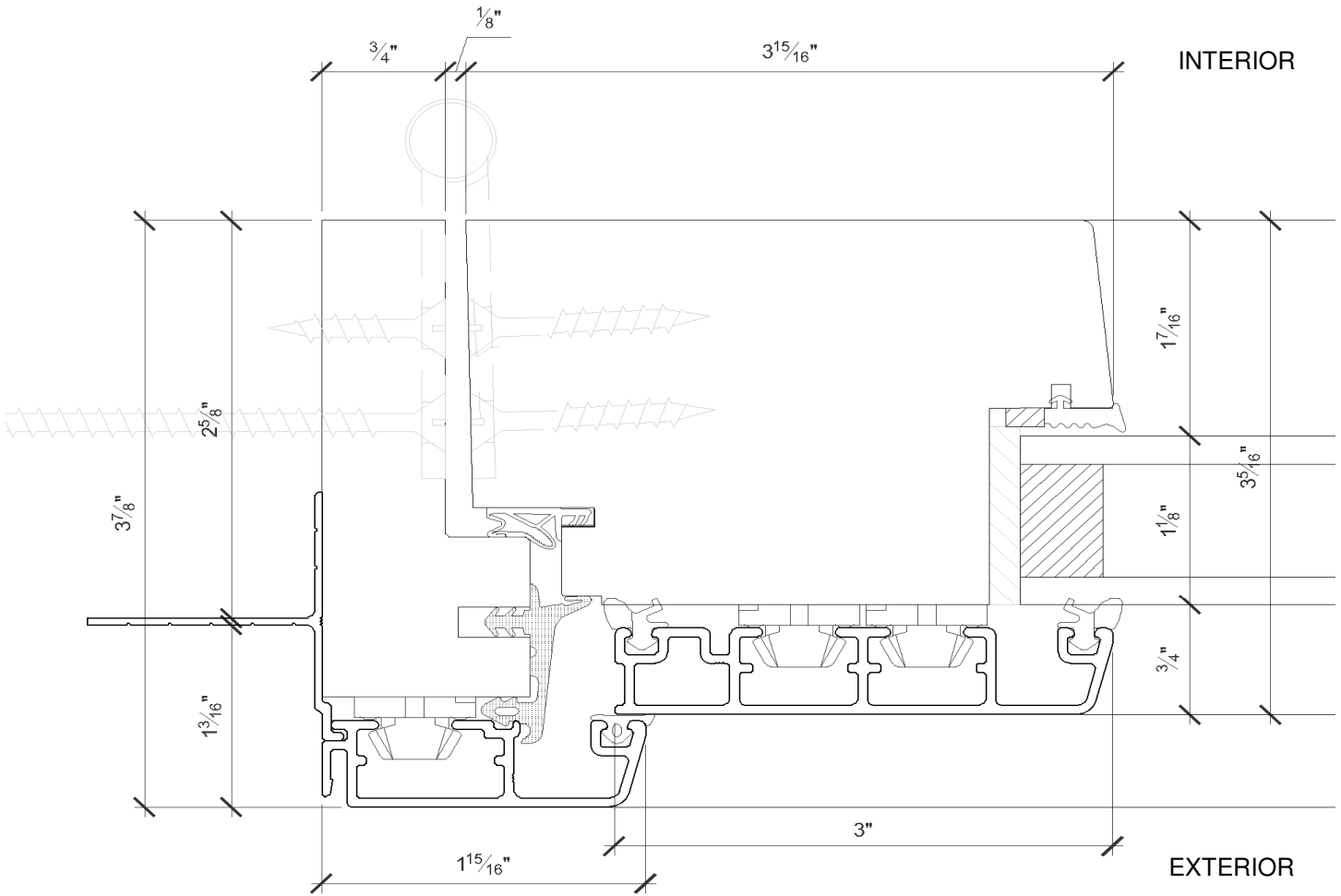


# Euro Inswing: Jamb Detail (Strike Side)



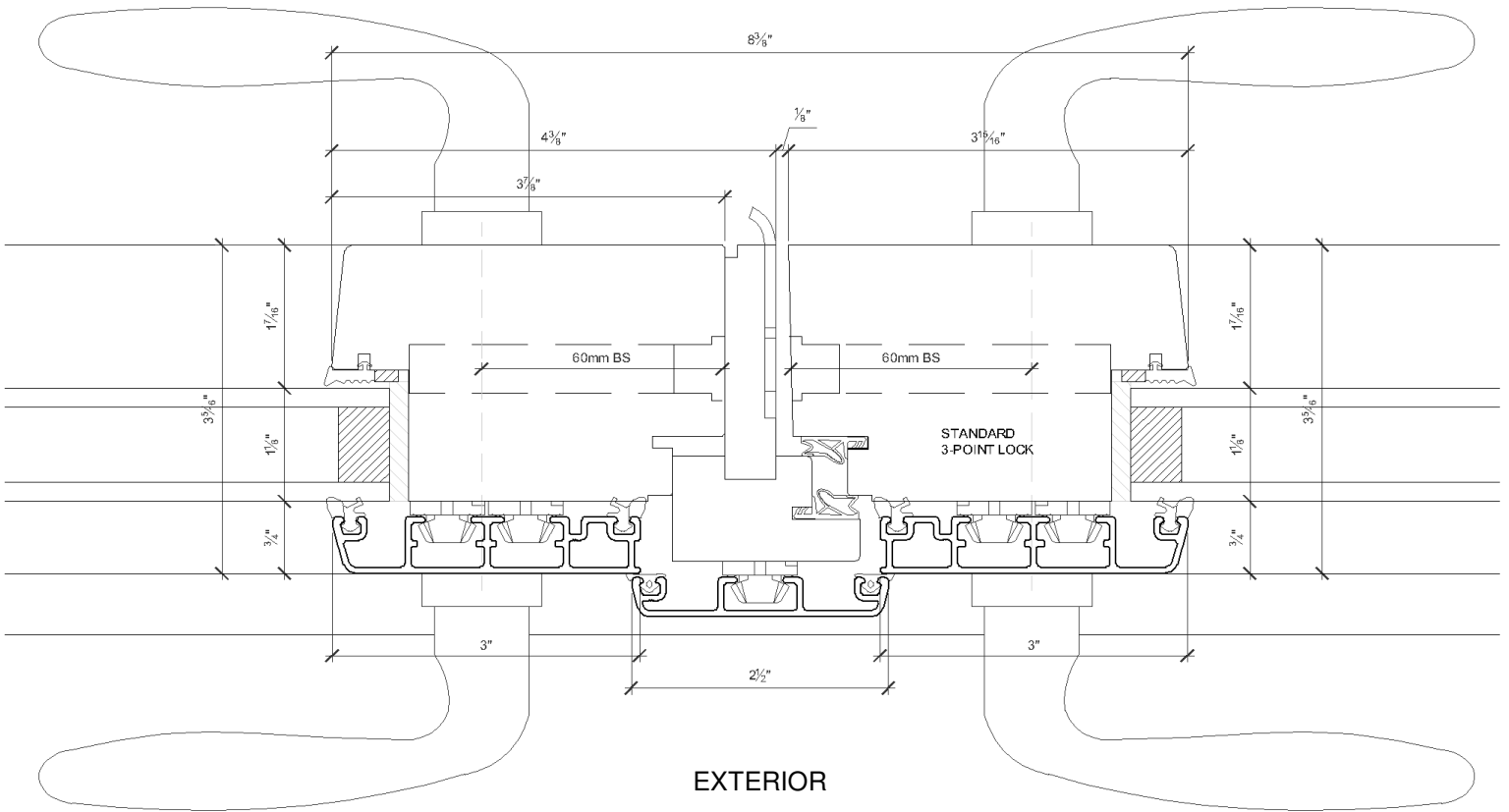


# Euro Inswing: Jamb Detail (Hinge Side)

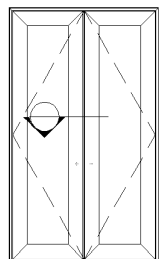


# Euro Inswing: Meeting Detail

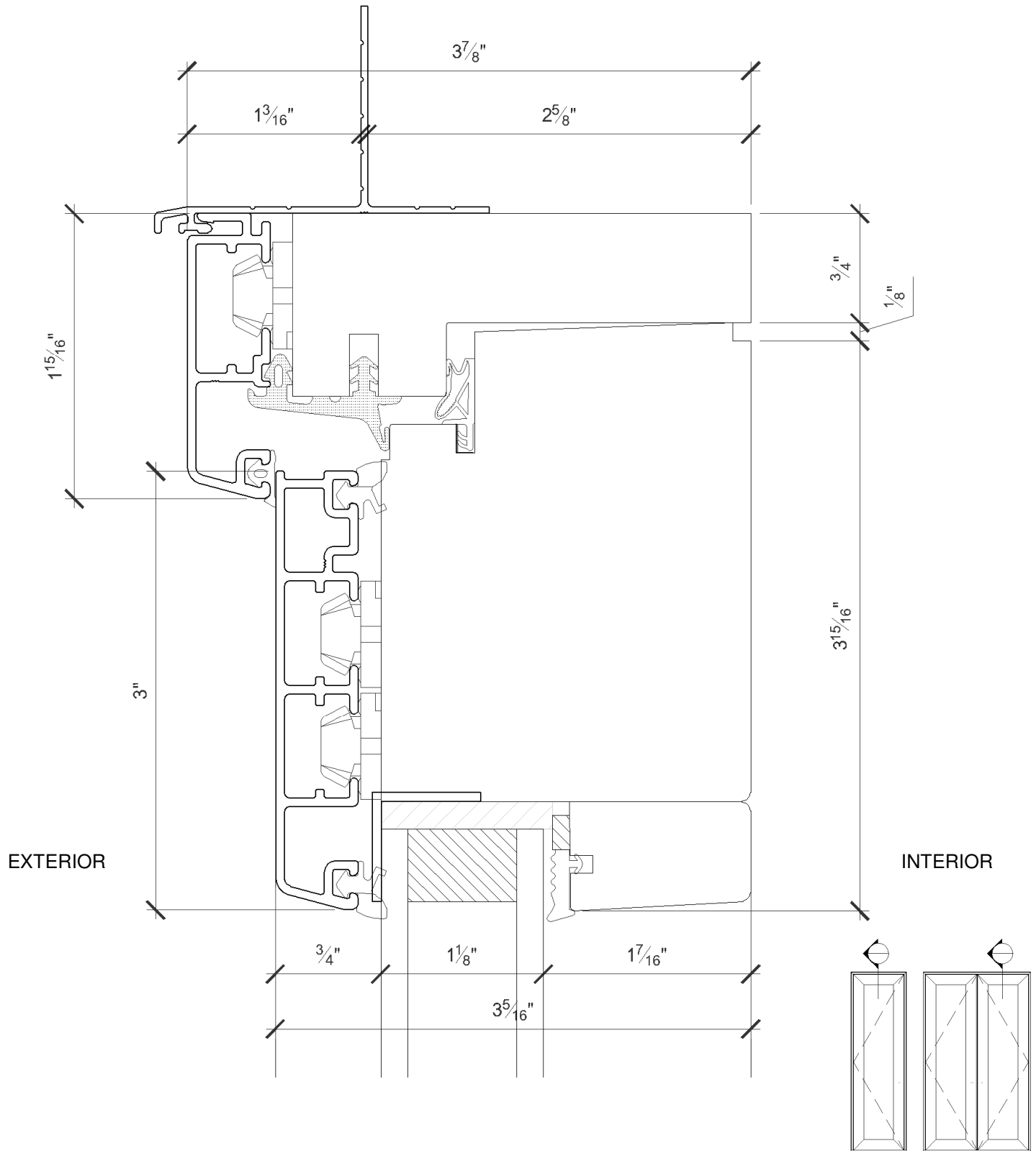
INTERIOR



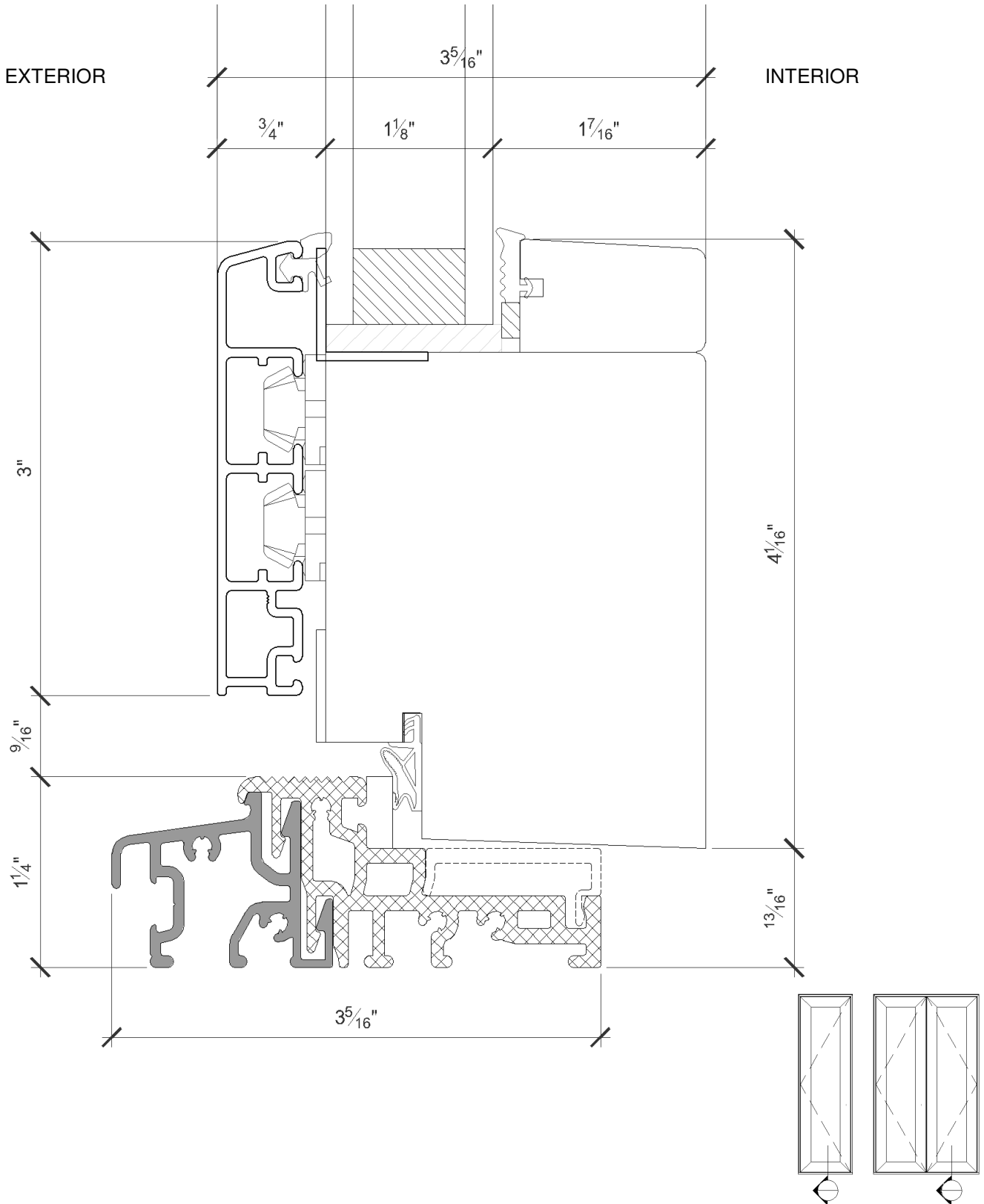
EXTERIOR



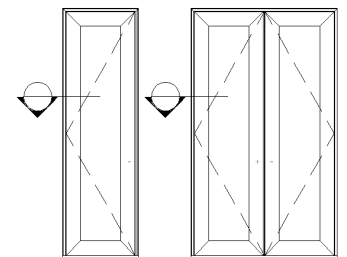
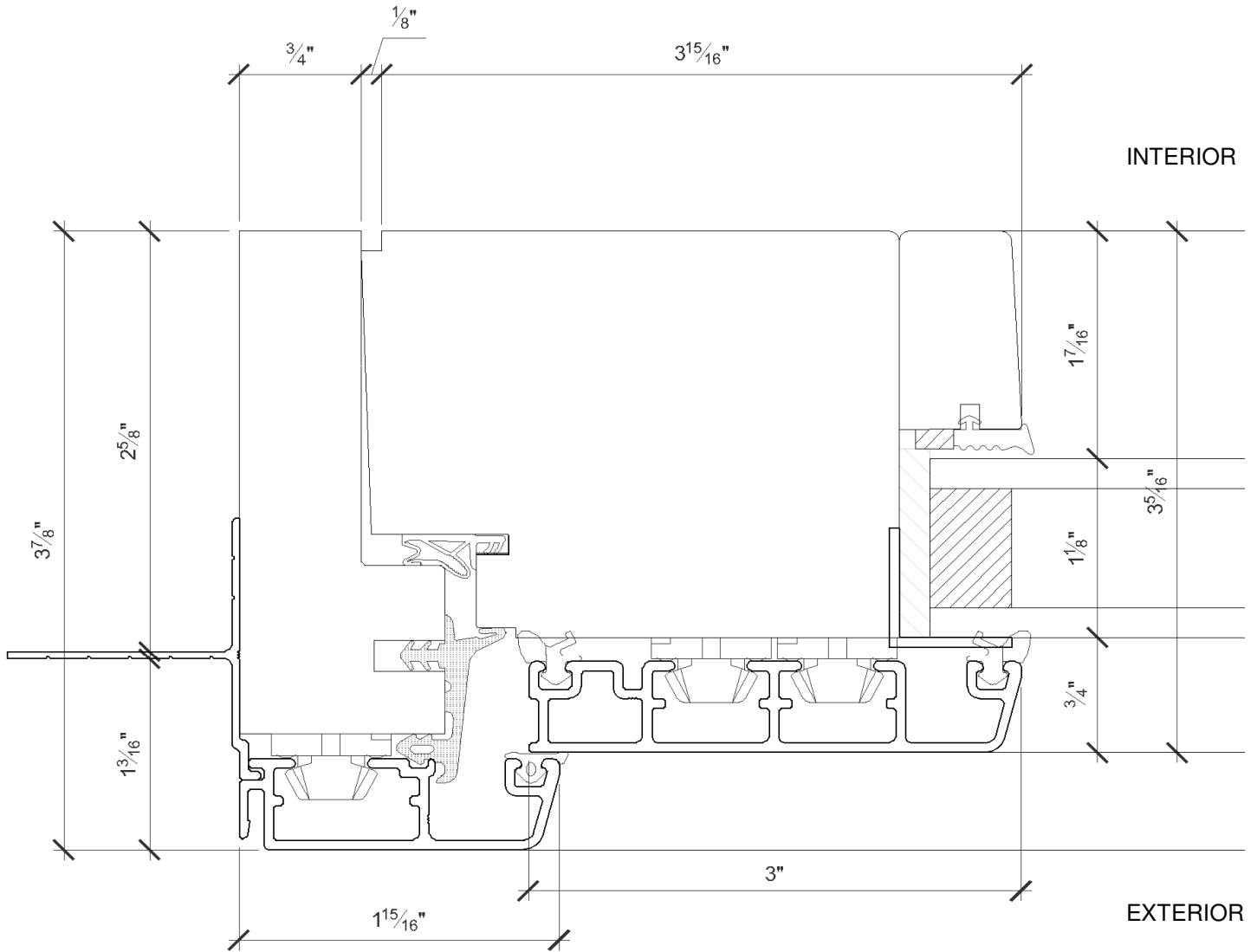
# Fixed Euro Inswing: Head Detail



# Fixed Euro Inswing: Sill Detail

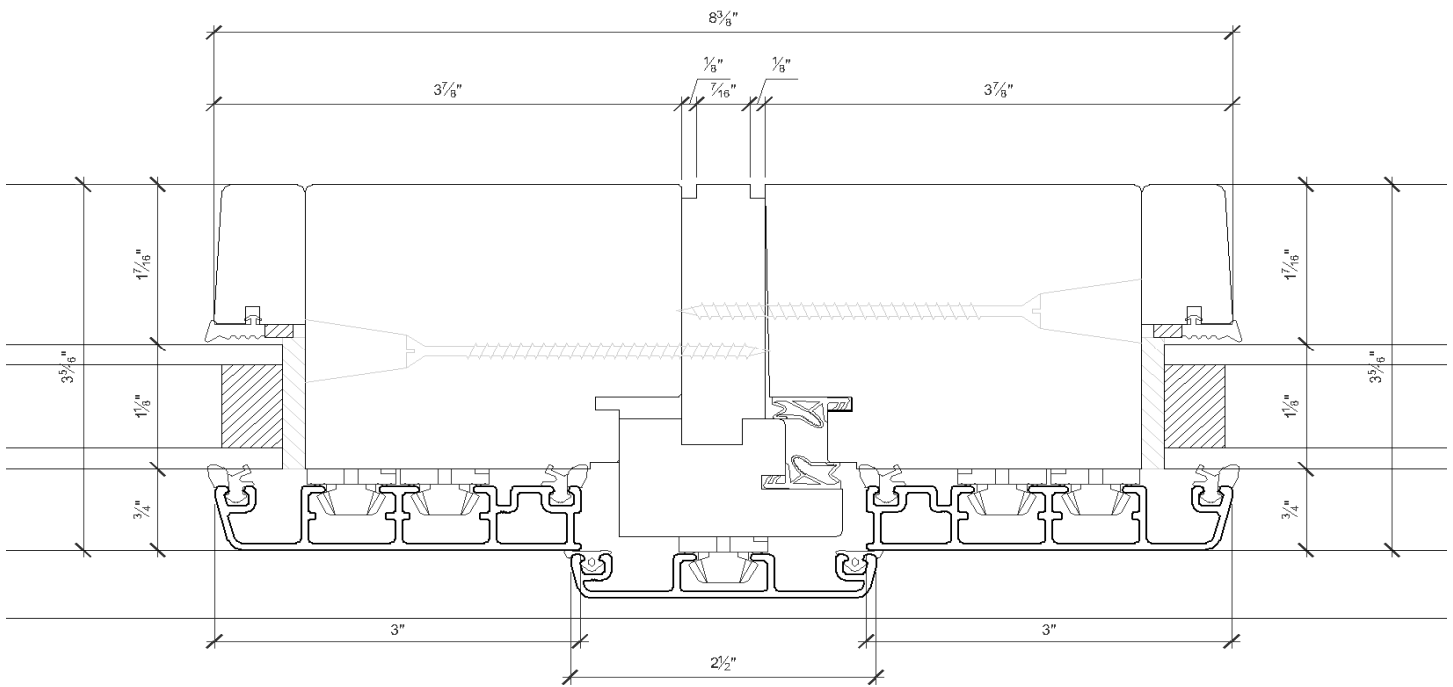


# Fixed Euro Inswing: Typical Jamb Detail

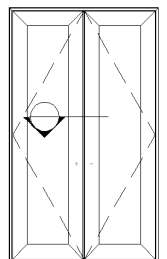


# Fixed Euro Inswing: Meeting Detail

INTERIOR



EXTERIOR



# Contemporary SDL Detail

