



M-Series Stacked Awning WA7000

(rev. 08.12.15)

M-Series Stacked Awning WA7000

Section Contents

Section Contents	1
Product Overview	2
Introduction	2
Wood Species	2
Glazing Options	2
Other Options	2
Product Parameters	2
Hardware Images	3
Exterior Elevation	4
Head Detail	5
Head Detail (with Roll Screen)	6
Sill Detail	7
Sill Detail (with Roll Screen)	8
Meeting Detail	9
Left/Right Jamb Detail	10
Left/Right Jamb Detail (with Roll Screen)	11
Traditional Vs. Contemporary Stop Detail	12
Contemporary SDL Detail	13

Product Overview



Introduction

The M-Series Stacked Awning WA7000 (wood with exterior aluminum cladding) presents a unique alternative to jalousies or vertically-mulled frames. In this configuration, multiple awnings are “stacked” on top of one another within a single frame, so that each sash can be operated independently and opened from the bottom with a smooth push-out motion. The durable stainless steel friction hinges and concealed multi-point locks simplify operation and remove the need for traditional crank-out hardware.

The extruded aluminum cladding minimizes exterior window maintenance in a variety of finishes, including custom color-matched Kynar™ (suitable for harsh coastal environments) and clear- or bronze-anodized. A concealed roll screen option is also available, which retracts into the top of the window when not in use to maximize your unobstructed view.

Wood Species

Our standard wood species are the following:



The mark of responsible forestry

- Pine
- Vertical Grain Douglas Fir
- African Mahogany

Ask for FSC®-certified products. Alternative and exotic wood species are also available.

Glazing Options

Standard glazing for the M-Series Stacked Awning WA7000 is 1 1/8” overall insulated glass.

Custom glazing and tinted glass are available.

Other Options

The M-Series Stacked Awning WA7000 can be purchased with additional options such as concealed roll screens, jamb extensions, egress hinges and/or divided lites. It can also be mulled to a variety of other PAM products for consistency of sightlines and design.

Contact Pacific Architectural Millwork for additional options and customization.

Product Parameters

Min Sash Height	13-13/16”
Max Sash Height	88-1/2” (Dependant on Height/Width and Glass Size)
Min Frame Width	20”
Max Frame Width	98-1/4” (Dependant on Height/Width and Glass Size)
Stile Width	3”
Min Jamb Depth	2 13/16” (behind nail fin no screen)
Sash Thickness	2-3/4”
Edge Detail	<ul style="list-style-type: none"> • Exterior: Contemporary • Interior: Traditional or Contemporary* <p>*Adding Contemporary or Traditional grids to the window will require Contemporary edge detail.</p>

M-Series Stacked Awning WA7000

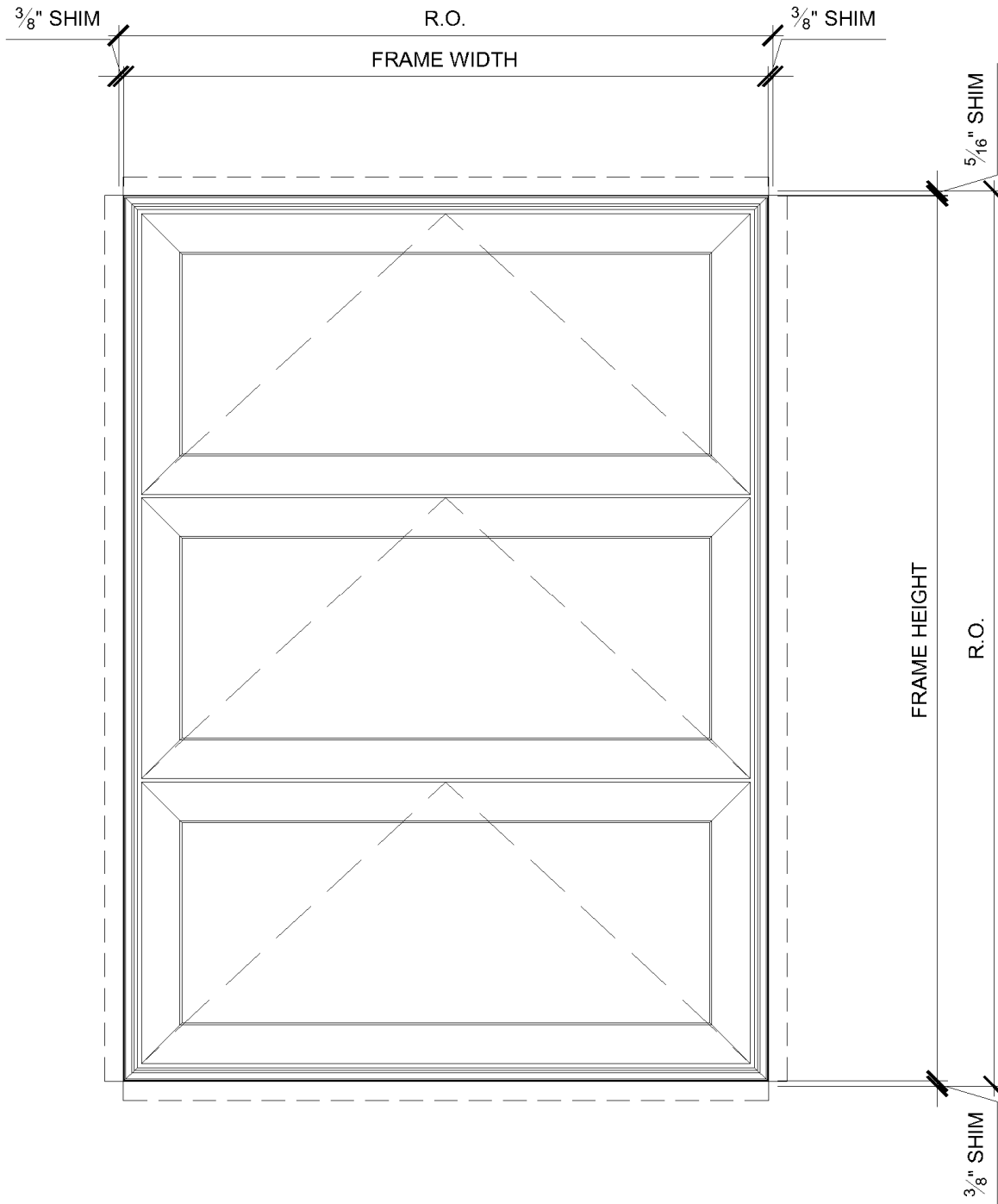
(rev. 08.12.15)

Hardware Images

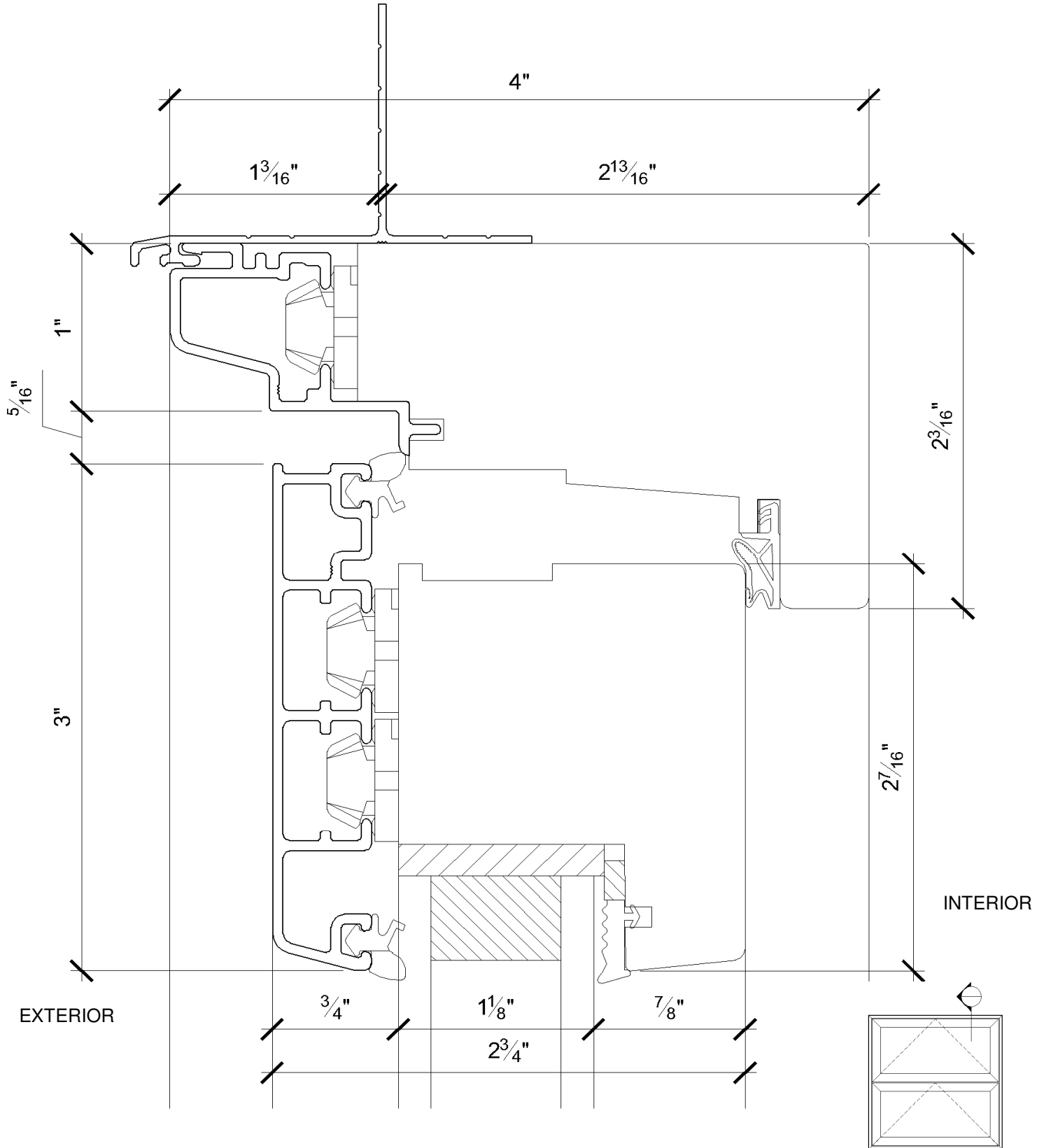
	
London Handle (Standard)	Verona Handle
<ul style="list-style-type: none">• Silver• Grey Brown• Traffic White	<ul style="list-style-type: none">• Polished Brass• Antique Brass• Brushed Chrome• Polished Chrome• Oil-Rubbed Brass• Pure White• Matte Black• Satin Nickel• Antique Nickel

Custom hardware and handles are also available.

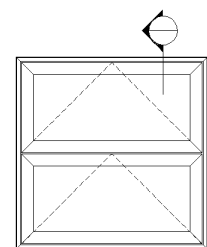
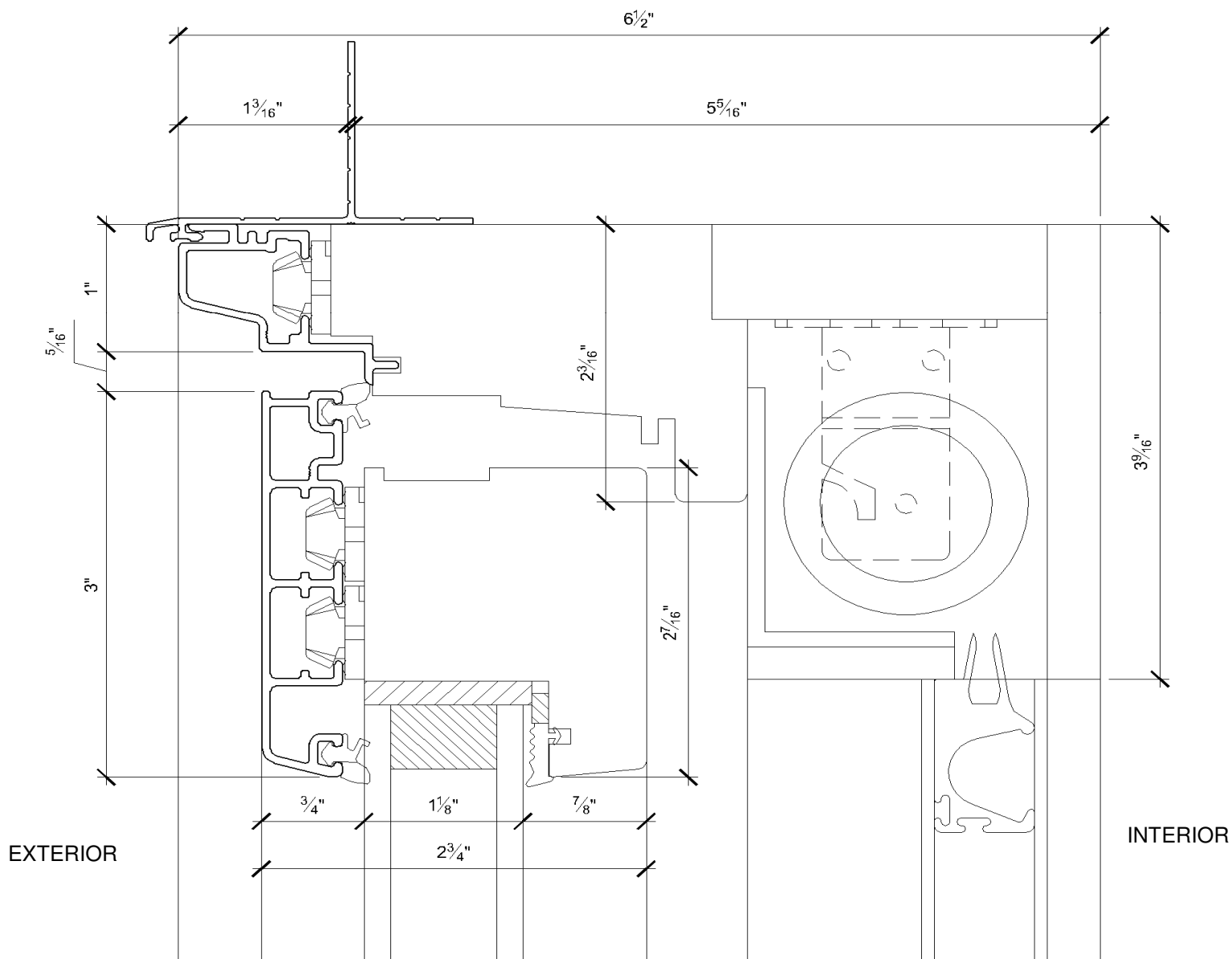
Exterior Elevation



Head Detail



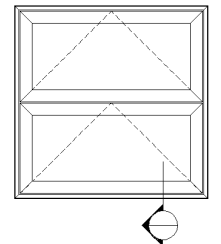
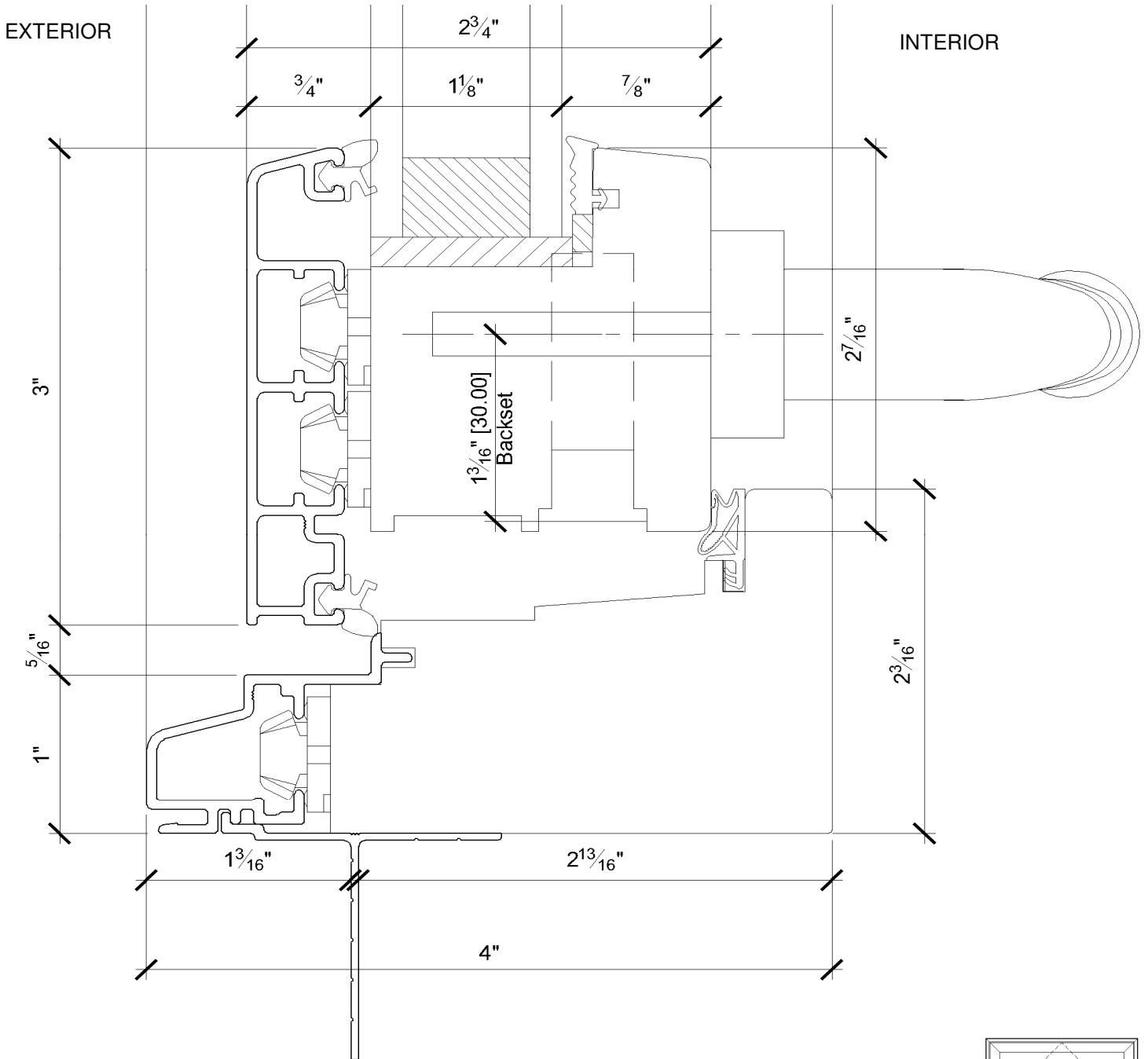
Head Detail (with Roll Screen)



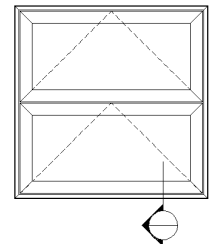
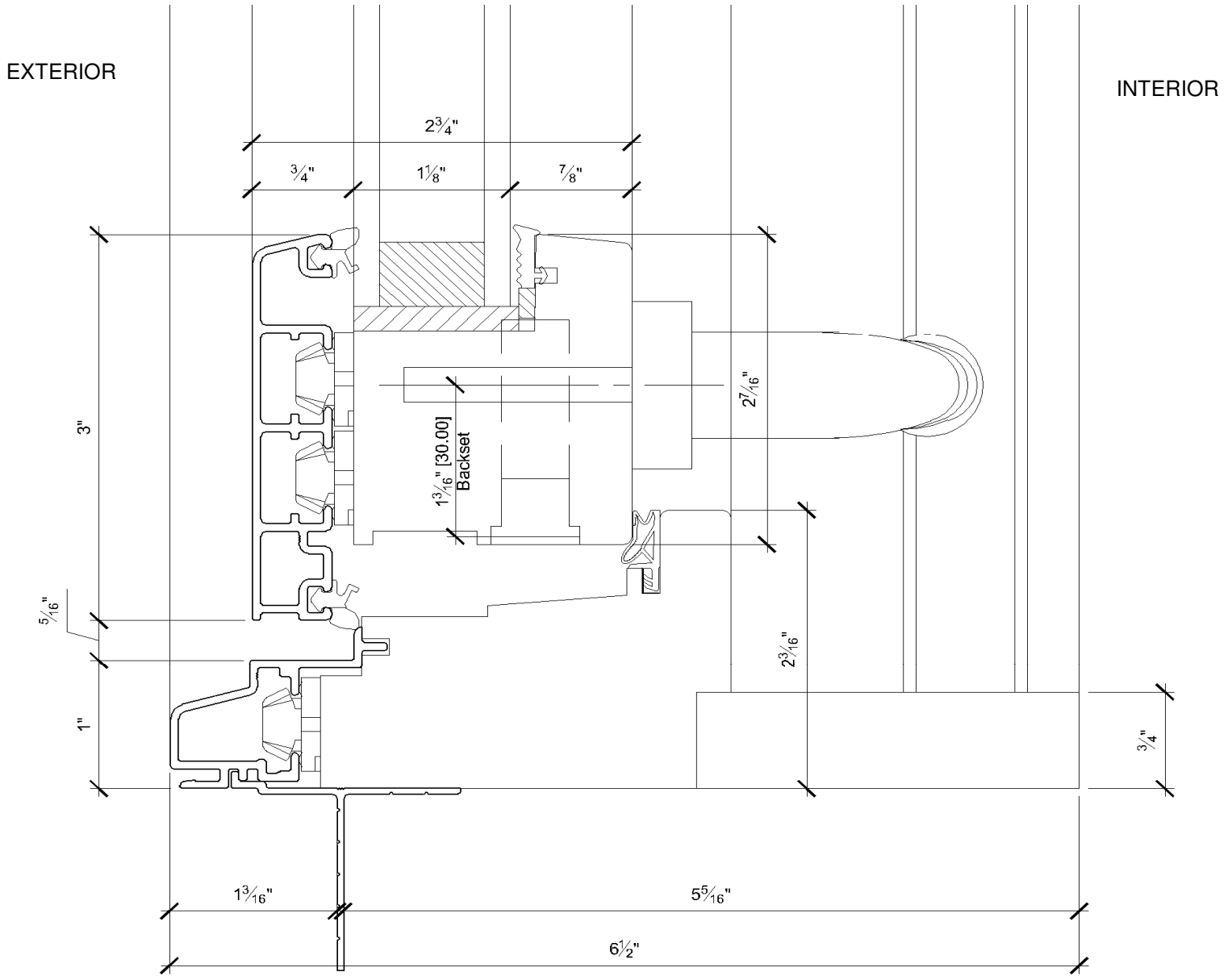
M-Series Stacked Awning WA7000

(rev. 08.12.15)

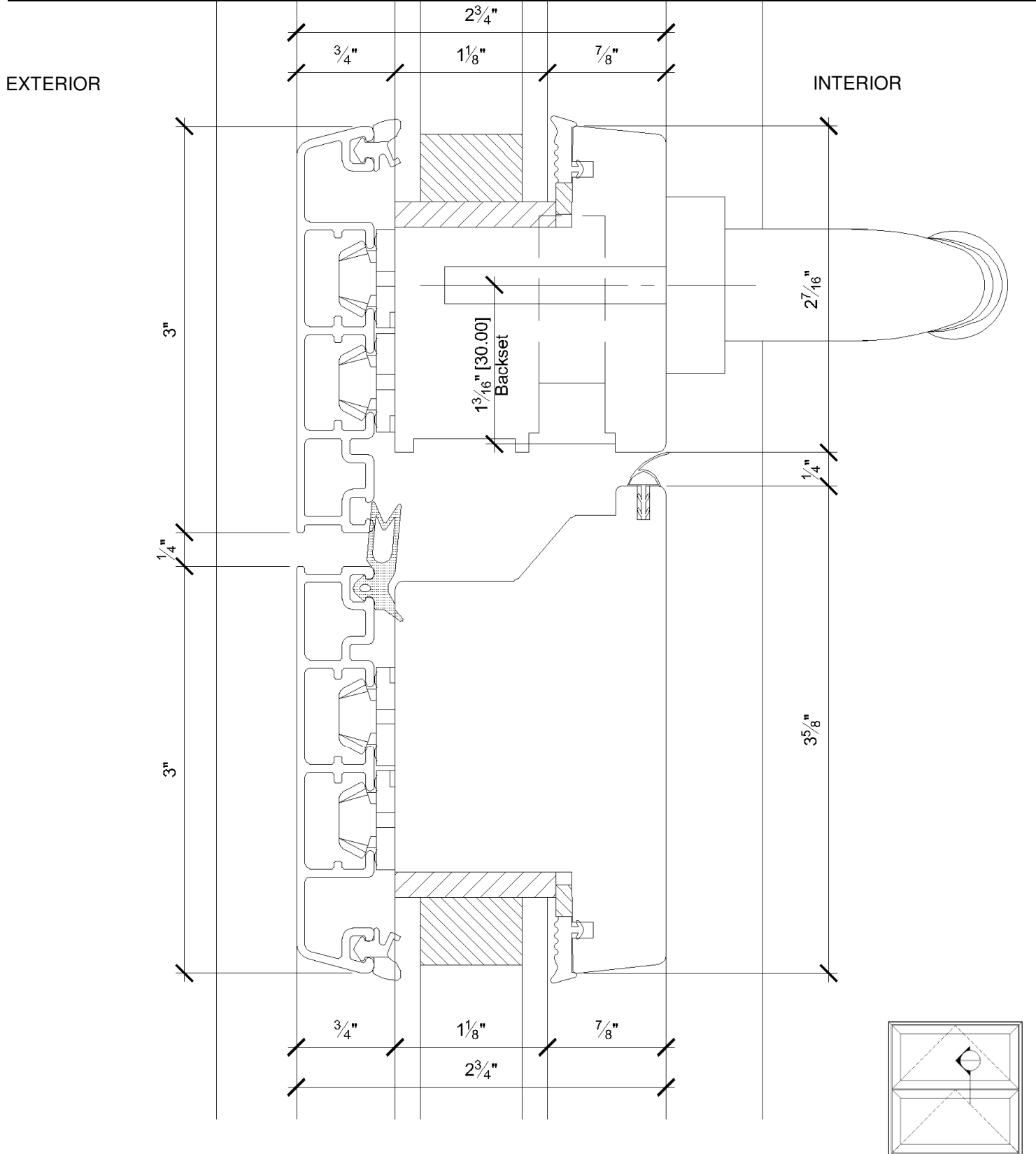
Sill Detail



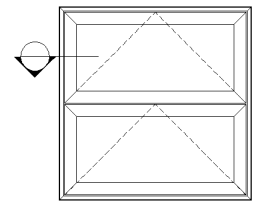
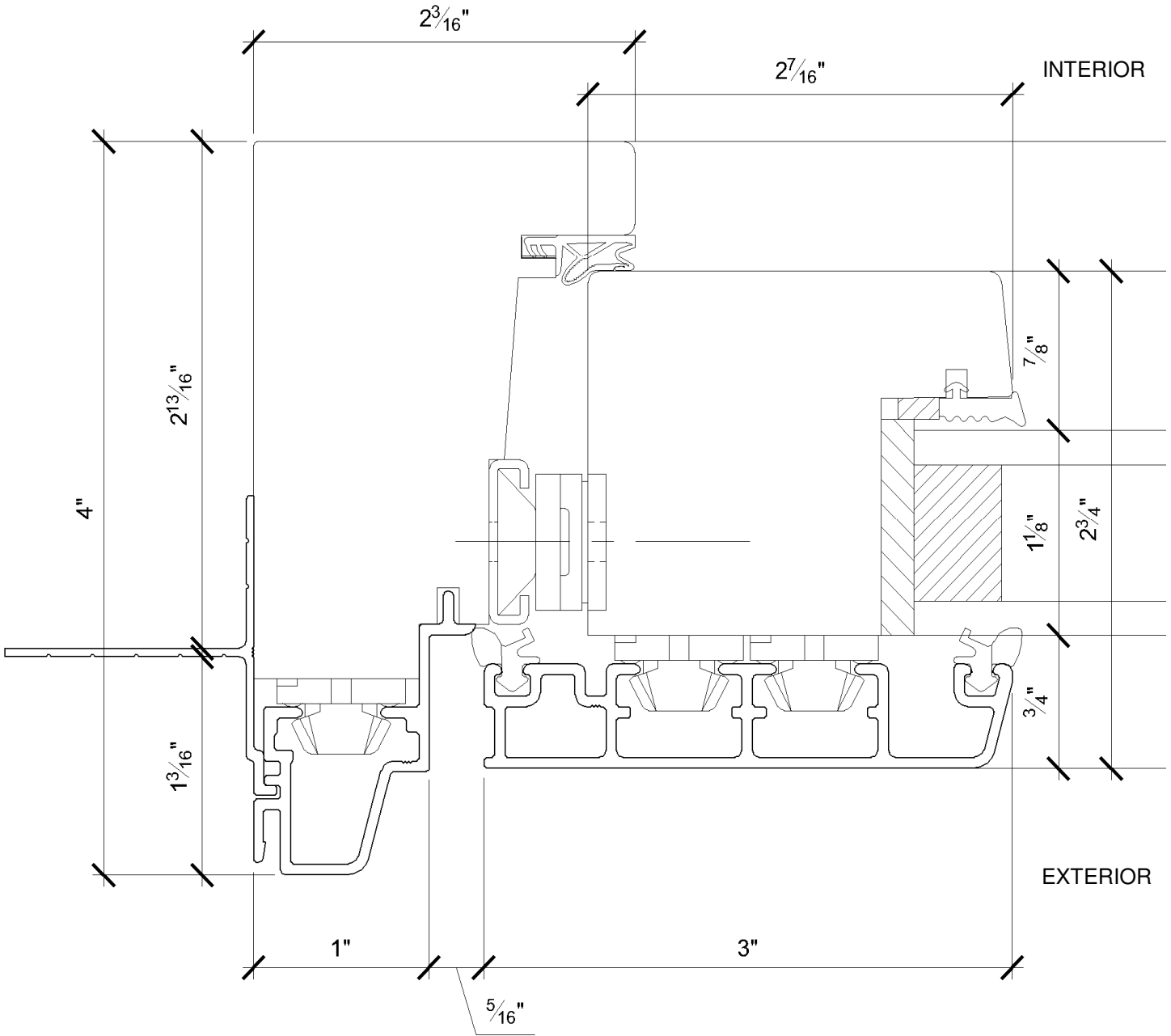
Sill Detail (with Roll Screen)



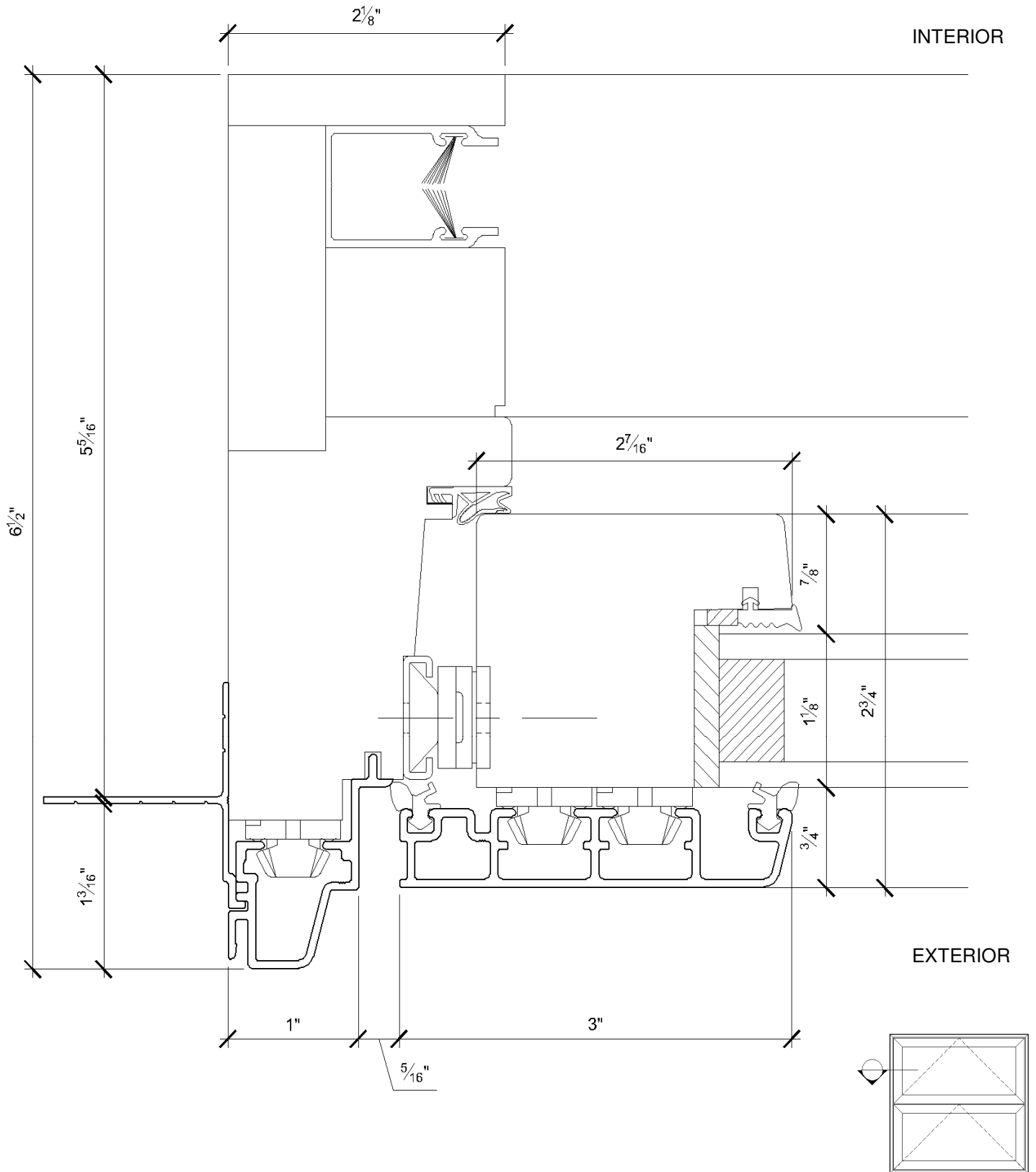
Meeting Detail



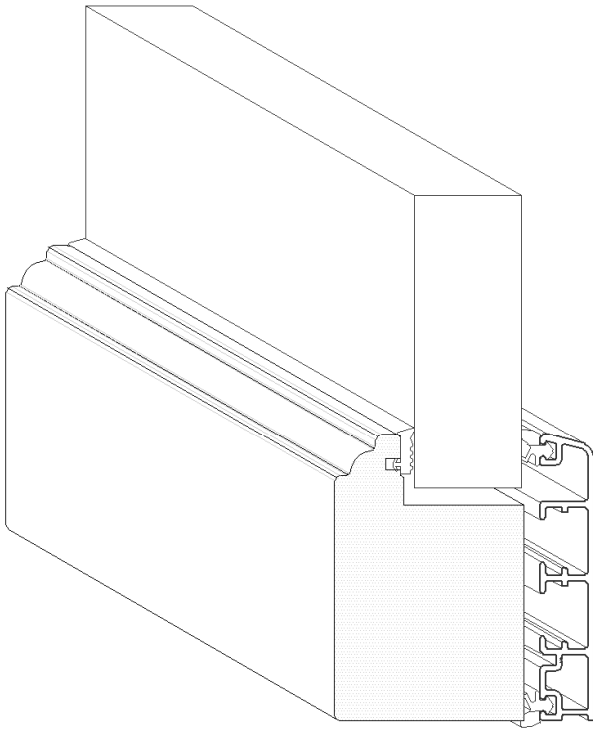
Left/Right Jamb Detail



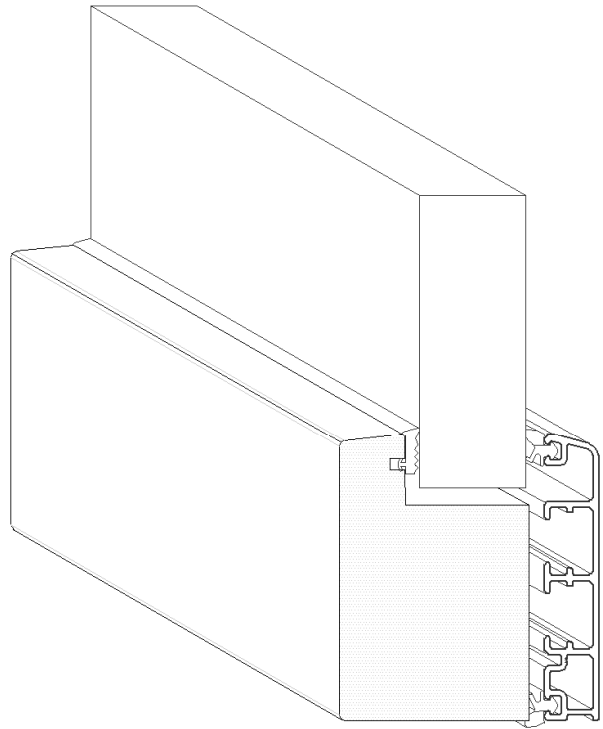
Left/Right Jamb Detail (with Roll Screen)



Traditional Vs. Contemporary Stop Detail



TRADITIONAL



CONTEMPORARY

Contemporary SDL Detail

