



Hinged Outswing Door WA6400

(rev. 8.12.15)

Hinged Outswing Door WA6400

Section Contents

Product Overview	3
Introduction	3
Hardware Options	3
Glazing Options	3
Wood Species	3
Hardware Images	3
Product Parameters	3
Single Hinged Outswing: Exterior Elevation	4
Double Hinged Outswing: Head Detail	5
Outswing: Head Detail	6
Outswing: Sill Detail	7
Outswing: Jamb Detail (Hinge Side)	8
Outswing: Jamb Detail (Strike Side)	9
Outswing: Meeting Detail	10
Fixed Outswing: Head Detail	11
Fixed Outswing: Sill Detail	12
Fixed Outswing: Typical Jamb Detail	13
Fixed Outswing: Meeting Detail	14
Traditional Vs. Contemporary Stop Detail	15
Contemporary SDL Detail	16

Product Overview

Introduction

Elegance, durability, and quality characterize the Pacific Architectural Millwork Hinged Inswing Door WA6400 (wood with aluminum cladding). These solid wood stile-and-rail doors are available with either single or double panels and inswing or outswing operation. The panels and frame are clad on the exterior with durable, heavy-gauge extruded aluminum and finished with a custom color-matched Kynar paint, for maximum protection against fading and corrosion and minimal maintenance. Each system is pre-hung and precision-built by master craftsmen, resulting in superior performance and beauty that you can see and feel. The center panels can consist of wood or glass, and customized with decorative glazing or simulated divided lite patterns. On the interior, the wood can be primed, pre-finished or distressed, with your choice of traditional or contemporary edge details. .

Hardware Options

Doors are pre-hung on brass hinges, in either Oil-Rubbed Bronze or Satin Nickel finish.

Multipoint locks and standard handle sets are available, or specify your own finish hardware to complement your design.

Glazing Options

Standard glazing for the glass door panels is 3/4" overall tempered insulated glass. Custom glazing, tinted glass, and clad panels are also available.

We offer two different standard edge details for the wood interior:

- Contemporary
- Traditional

Exterior clad profile is contemporary only.

Wood Species



Our standard wood species are the following:



- Pine
- Vertical Grain Douglas Fir
- African Mahogany

Ask for FSC®-certified products. Alternative and exotic wood species are also available.

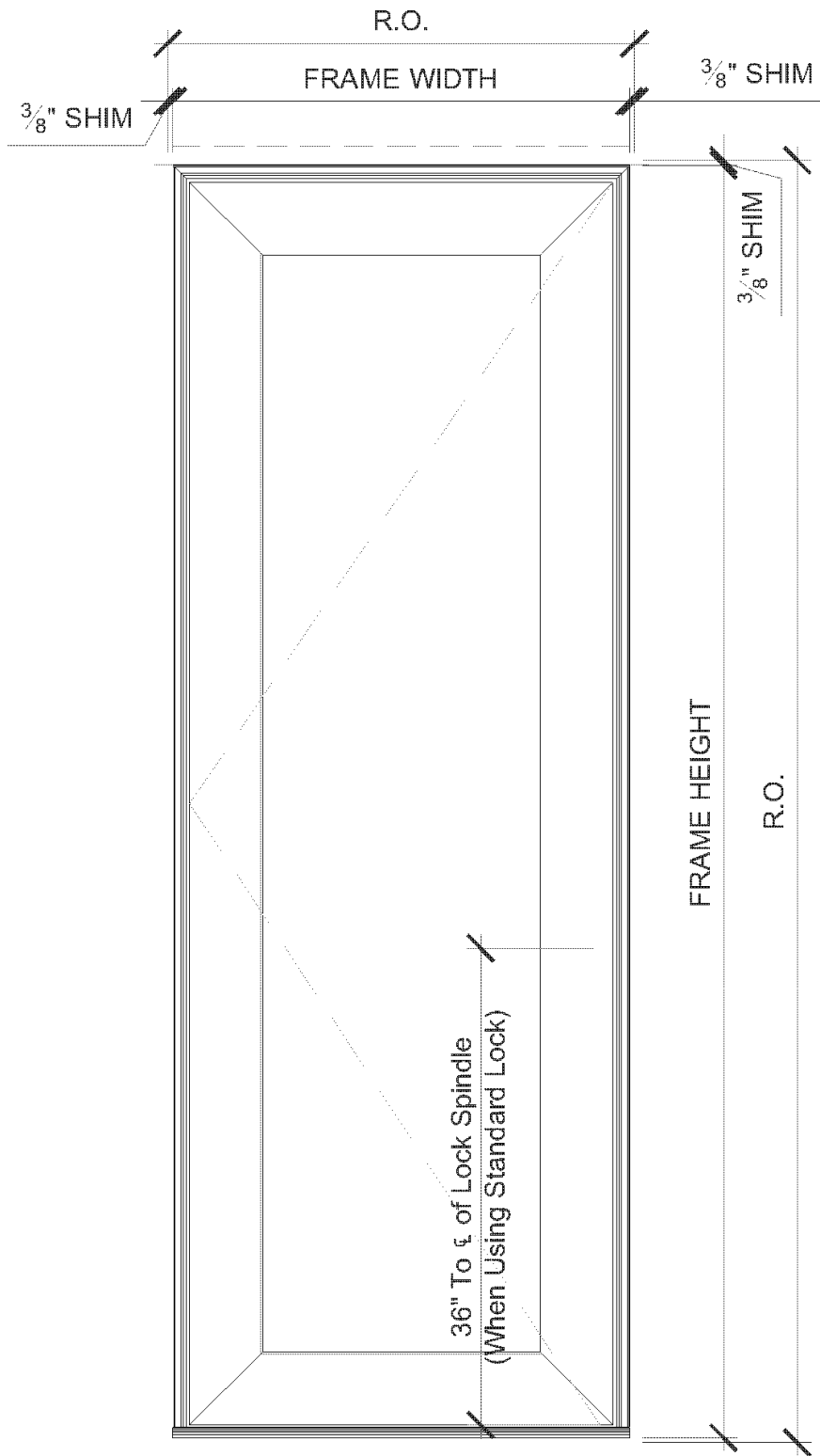
Hardware Images

	
London Handle (Standard)	Verona Handle (Optional)
<ul style="list-style-type: none"> • Silver • Grey Brown • Traffic White 	<ul style="list-style-type: none"> • Resista Brass • Oil-Rubbed Brass • Satin Nickel

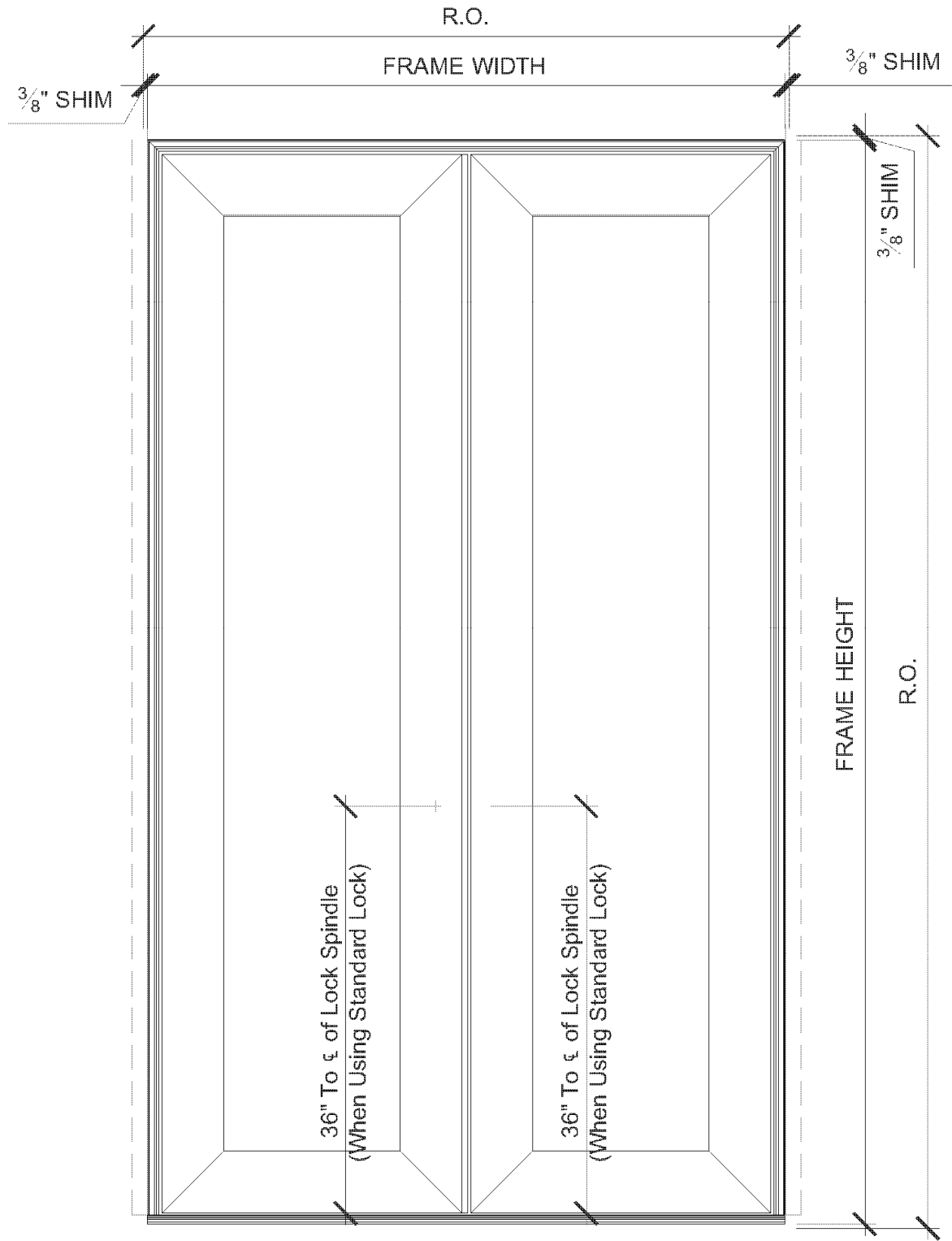
Product Parameters

Max Frame Height	120"
Max Frame Width	44 1/4"
Min Frame Height	66"
Min Frame Width	20"
Panel Thickness	2-1/2"
Stile Width	5-1/2"
Min Jamb Depth	4-9/16"
Edge Detail	<ul style="list-style-type: none"> • Exterior: Contemporary • Interior: Traditional or Contemporary* <p>*Adding Contemporary or Traditional grids to the window will require Contemporary edge detail</p>

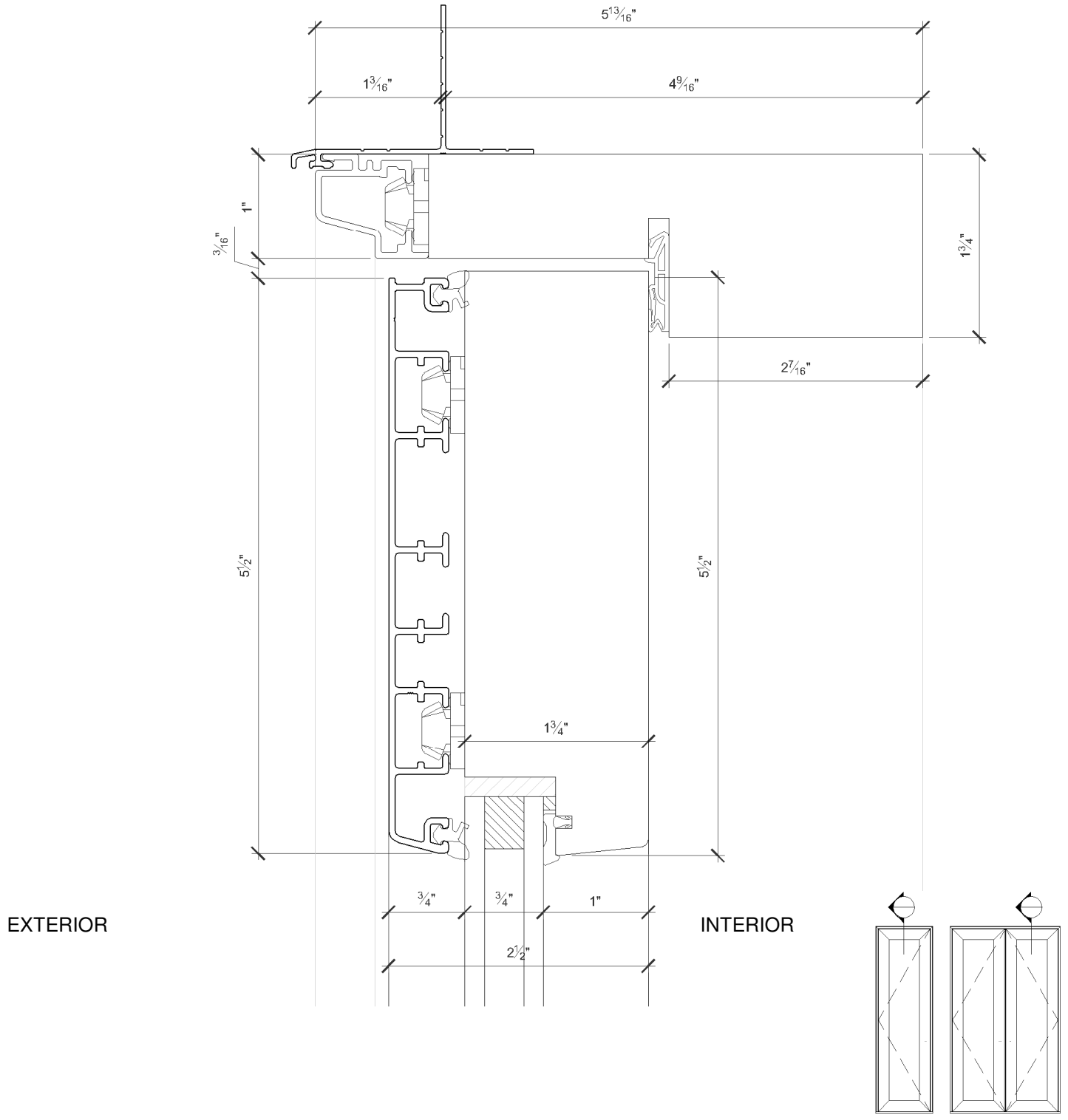
Single Hinged Outswing: Exterior Elevation



Double Hinged Outswing: Head Detail



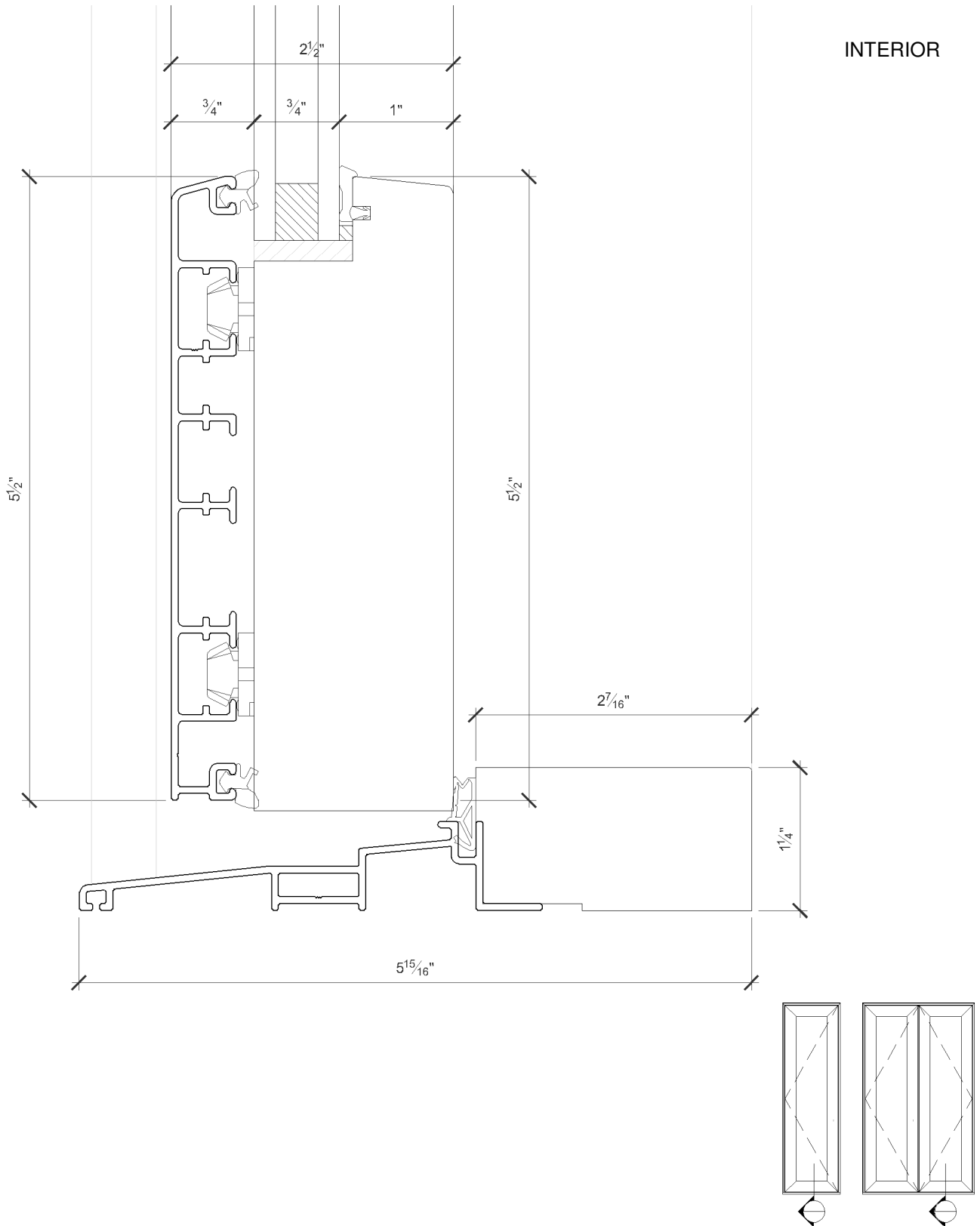
Outswing: Head Detail



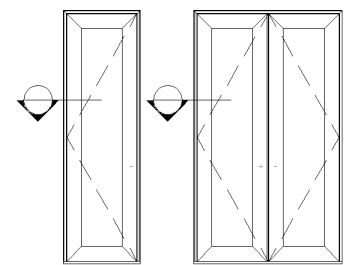
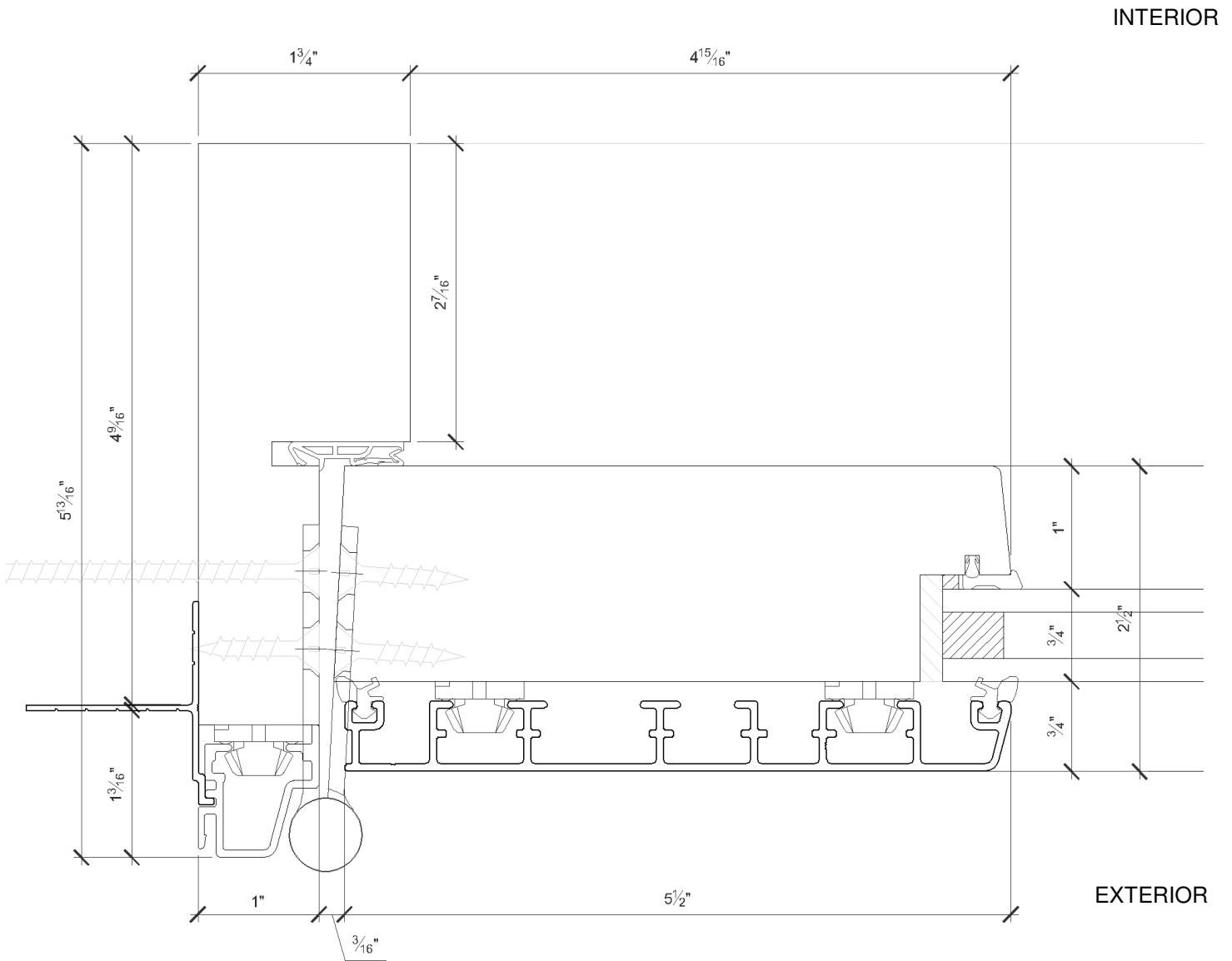
Outswing: Sill Detail

EXTERIOR

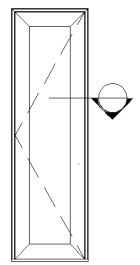
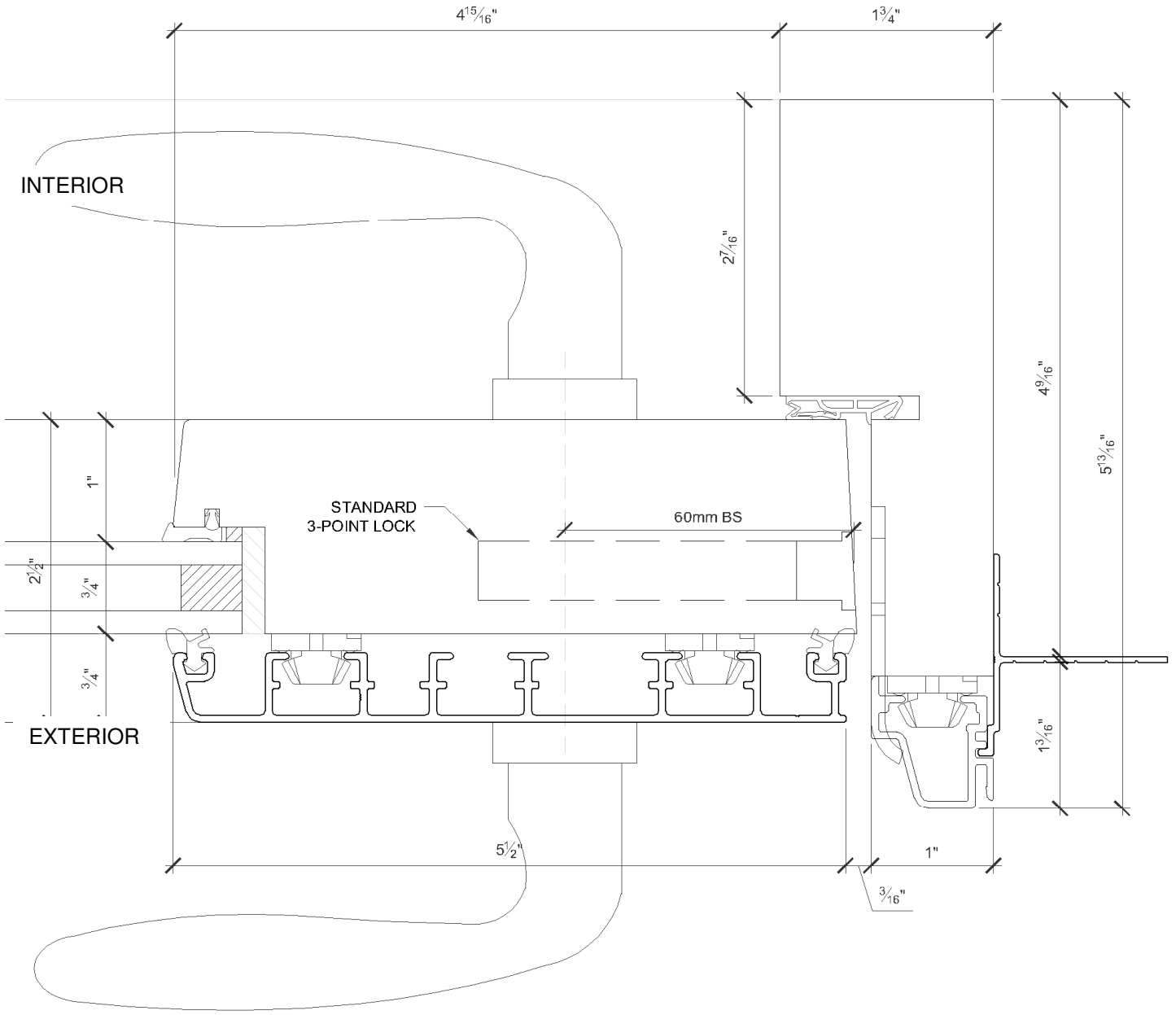
INTERIOR



Outswing: Jamb Detail (Hinge Side)

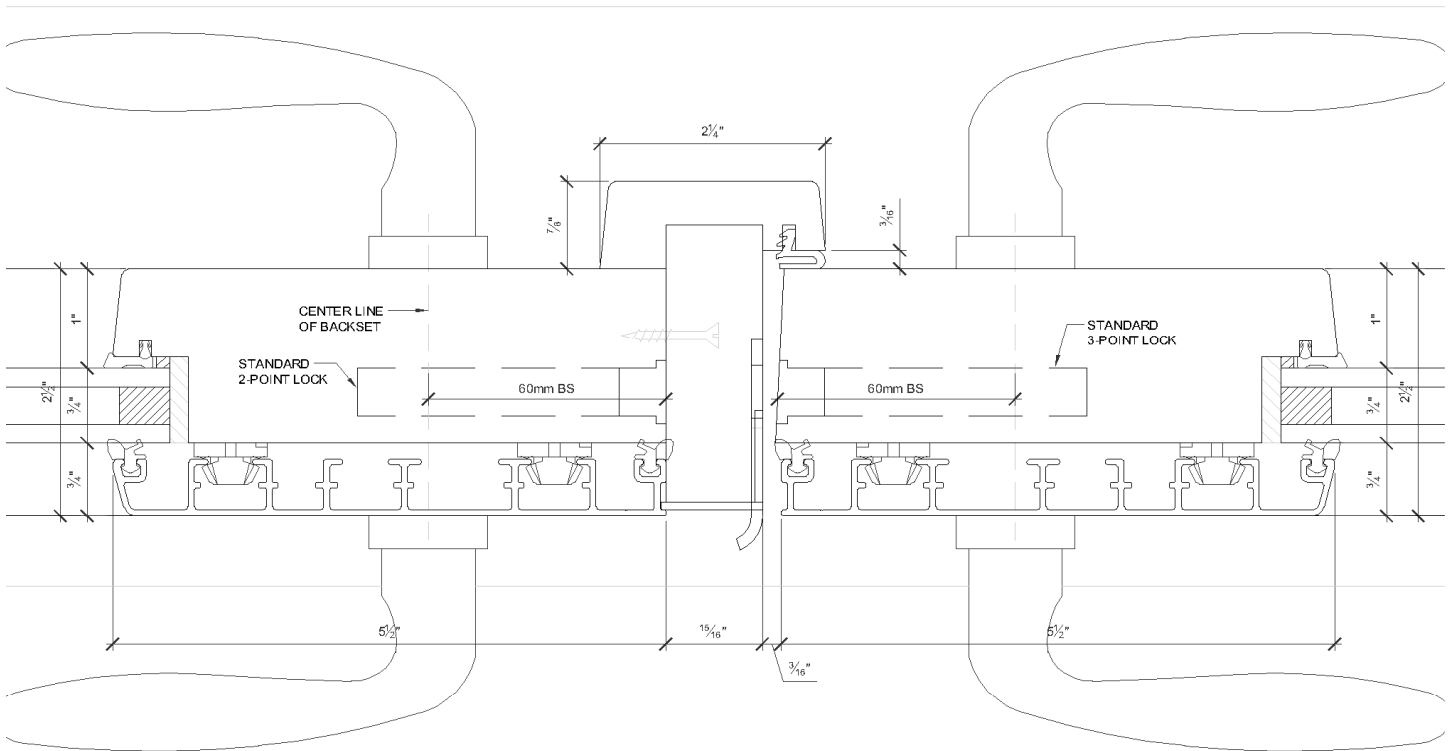


Outswing: Jamb Detail (Strike Side)

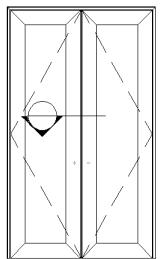


Outswing: Meeting Detail

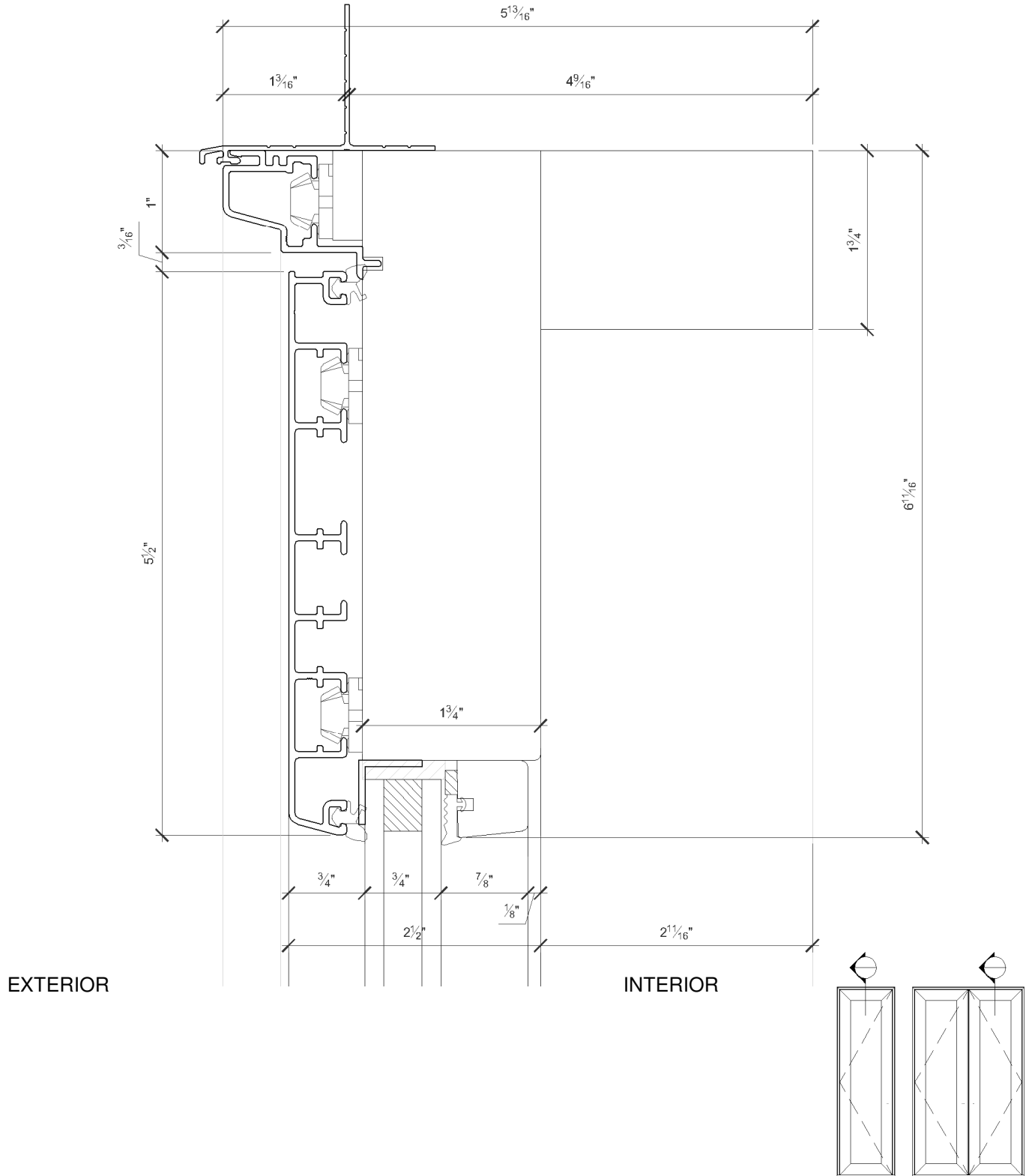
INTERIOR



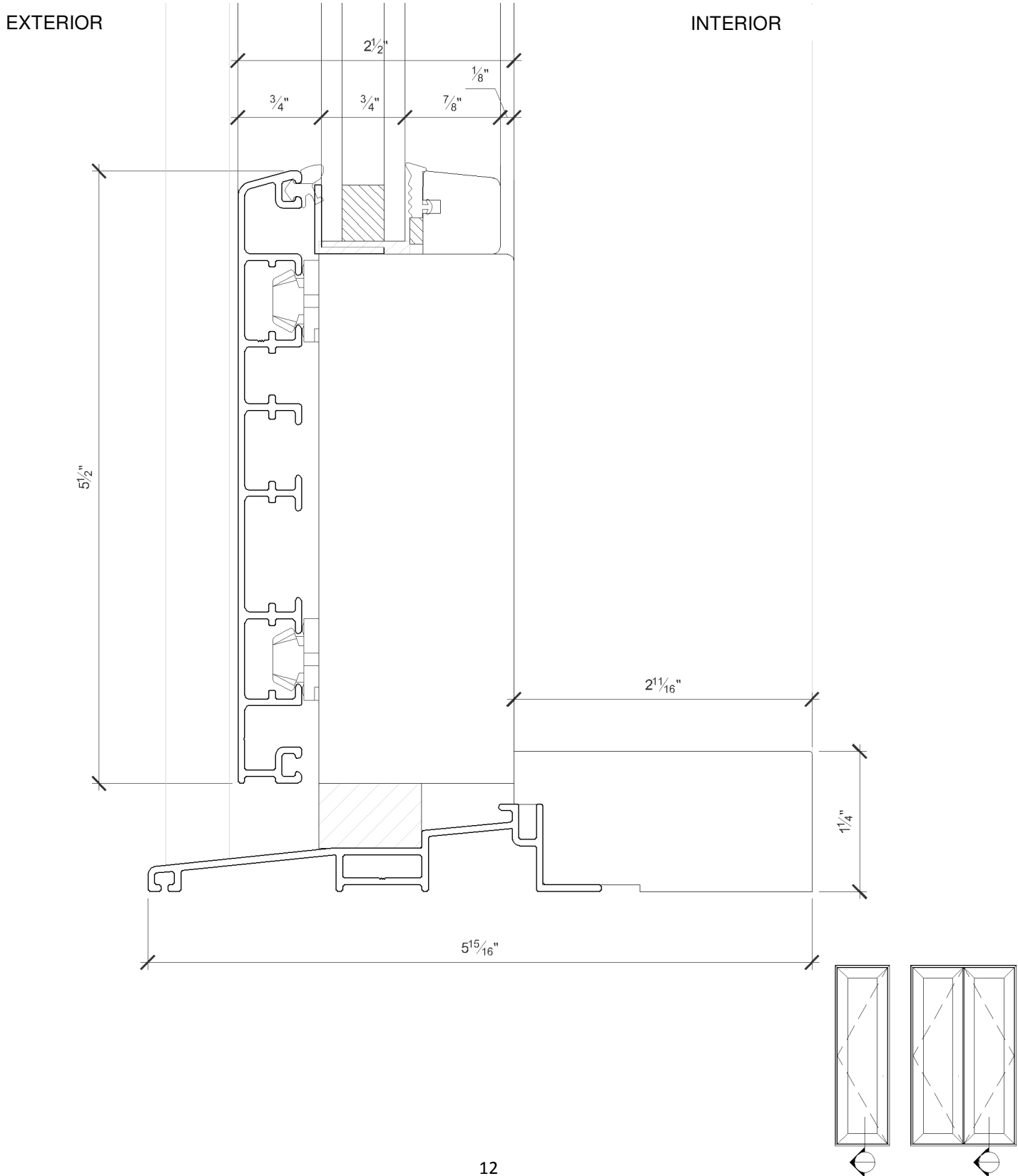
EXTERIOR



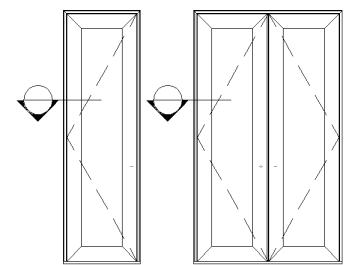
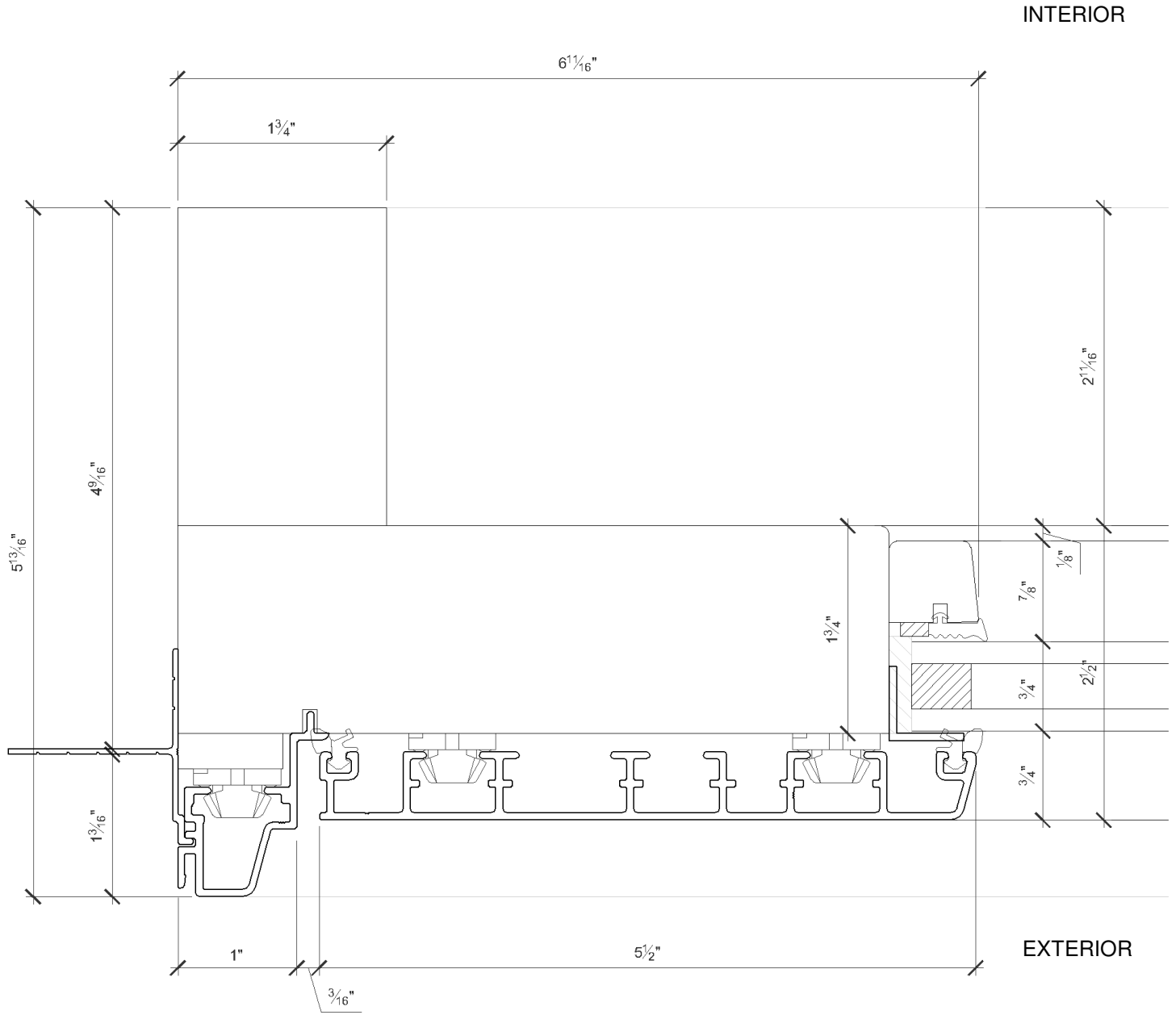
Fixed Outswing: Head Detail



Fixed Outswing: Sill Detail

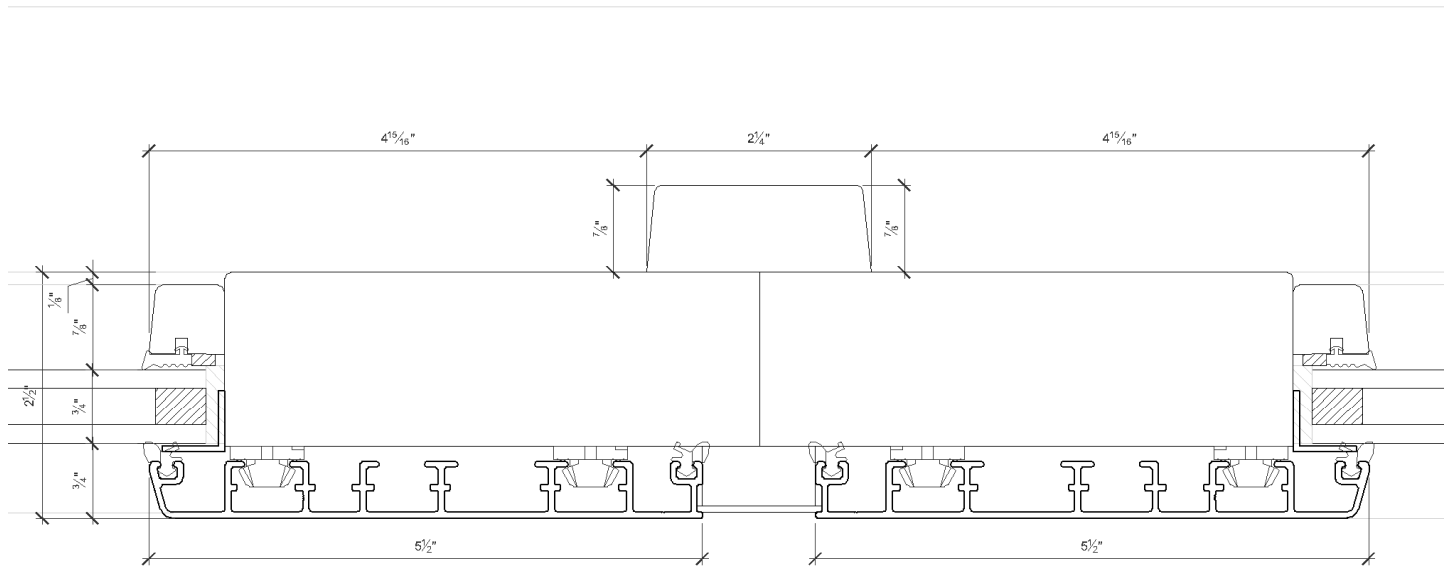


Fixed Outswing: Typical Jamb Detail

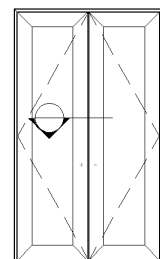


Fixed Outswing: Meeting Detail

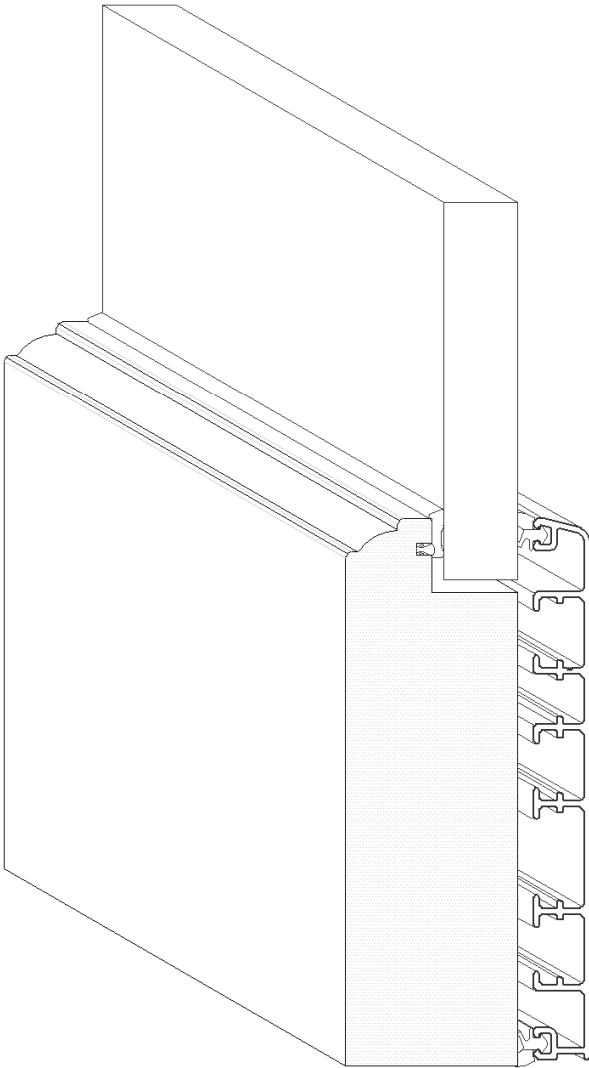
INTERIOR



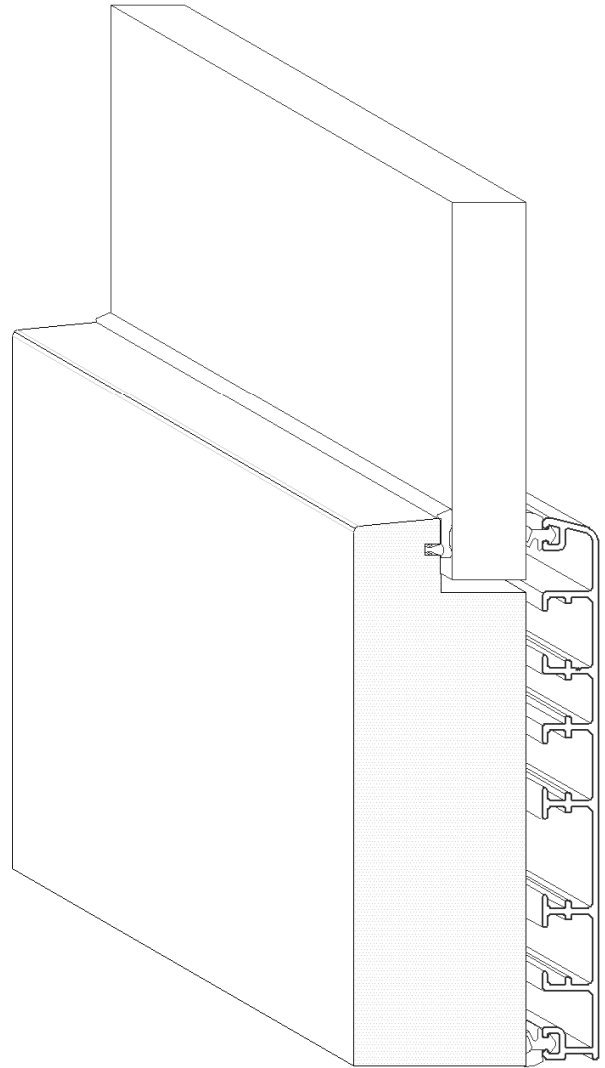
EXTERIOR



Traditional Vs. Contemporary Stop Detail



TRADITIONAL



CONTEMPORARY

Contemporary SDL Detail

