



# Hinged Inswing Door WA6400

(rev. 08.12.15)

# Hinged Inswing Door WA6400

## Section Contents

Product Overview .....	3
Introduction .....	3
Hardware Options .....	3
Glazing Options .....	3
Wood Species .....	3
Hardware Images .....	3
Product Parameters .....	3
Single Hinged Inswing: Exterior Elevation.....	4
Double Hinged Inswing: Head Detail .....	5
Inswing: Head Detail .....	6
Inswing: Sill Detail .....	7
Inswing: Jamb Detail (Hinge Side) .....	8
Inswing: Jamb Detail (Strike Side) .....	9
Inswing: Meeting Detail .....	10
Fixed Inswing: Head Detail.....	11
Fixed Inswing: Sill Detail.....	12
Fixed Inswing: Typical Jamb Detail.....	13
Fixed Inswing: Meeting Detail.....	14
Traditional Vs. Contemporary Stop Detail .....	15
Contemporary SDL Detail.....	16

# Product Overview

## Introduction

Elegance, durability, and quality characterize the Pacific Architectural Millwork Hinged Inswing Door WA6400 (wood with aluminum cladding). These solid wood stile-and-rail doors are available with either single or double panels and inswing or outswing operation. The panels and frame are clad on the exterior with durable, heavy-gauge extruded aluminum and finished with a custom color-matched Kynar paint, for maximum protection against fading and corrosion and minimal maintenance. Each system is pre-hung and precision-built by master craftsmen, resulting in superior performance and beauty that you can see and feel.

The center panels can consist of wood or glass, and customized with decorative glazing or simulated divided lite patterns. On the interior, the wood can be primed, pre-finished or distressed, with your choice of traditional or contemporary edge details. .

## Hardware Options

Doors are pre-hung on brass hinges, in either Oil-Rubbed Bronze or Satin Nickel finish.

Multipoint locks and standard handle sets are available, or specify your own finish hardware to complement your design.

## Glazing Options

Standard glazing for the glass door panels is 3/4" overall tempered insulated glass. Custom glazing, tinted glass, and clad panels are also available.

We offer two different standard edge details for the wood interior:

- Contemporary
- Traditional

Exterior clad profile is contemporary only.

## Wood Species

Our standard wood species are the following:





- Pine
- Vertical Grain Douglas Fir
- African Mahogany

Ask for FSC®-certified products. Alternative and exotic wood species are also available.

The mark of responsible forestry

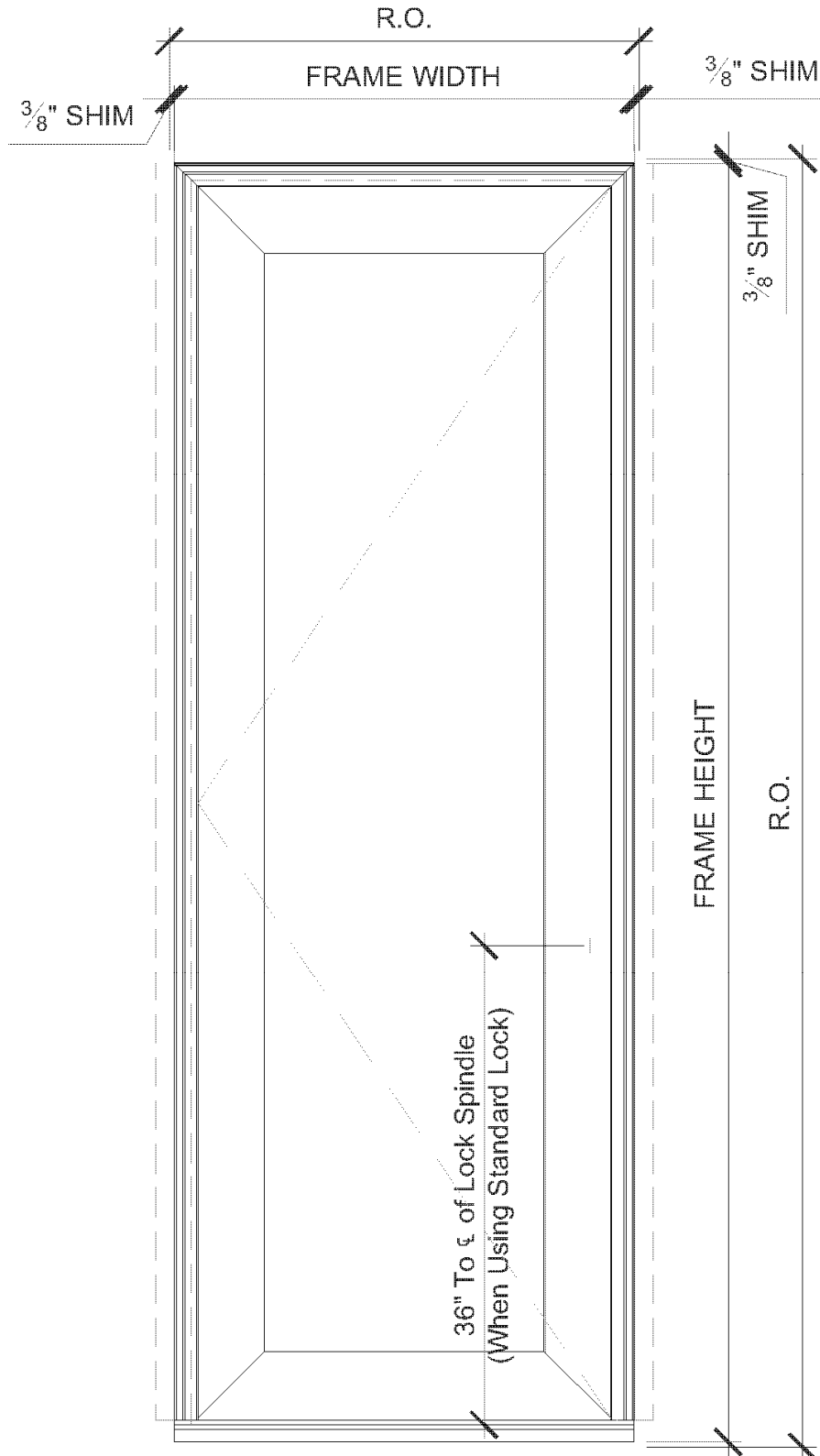
## Hardware Images

	
<b>London Handle</b> (Standard)	<b>Verona Handle</b> (Optional)
<ul style="list-style-type: none"> <li>• Silver</li> <li>• Grey Brown</li> <li>• Traffic White</li> </ul>	<ul style="list-style-type: none"> <li>• Resista Brass</li> <li>• Oil-Rubbed Brass</li> <li>• Satin Nickel</li> </ul>

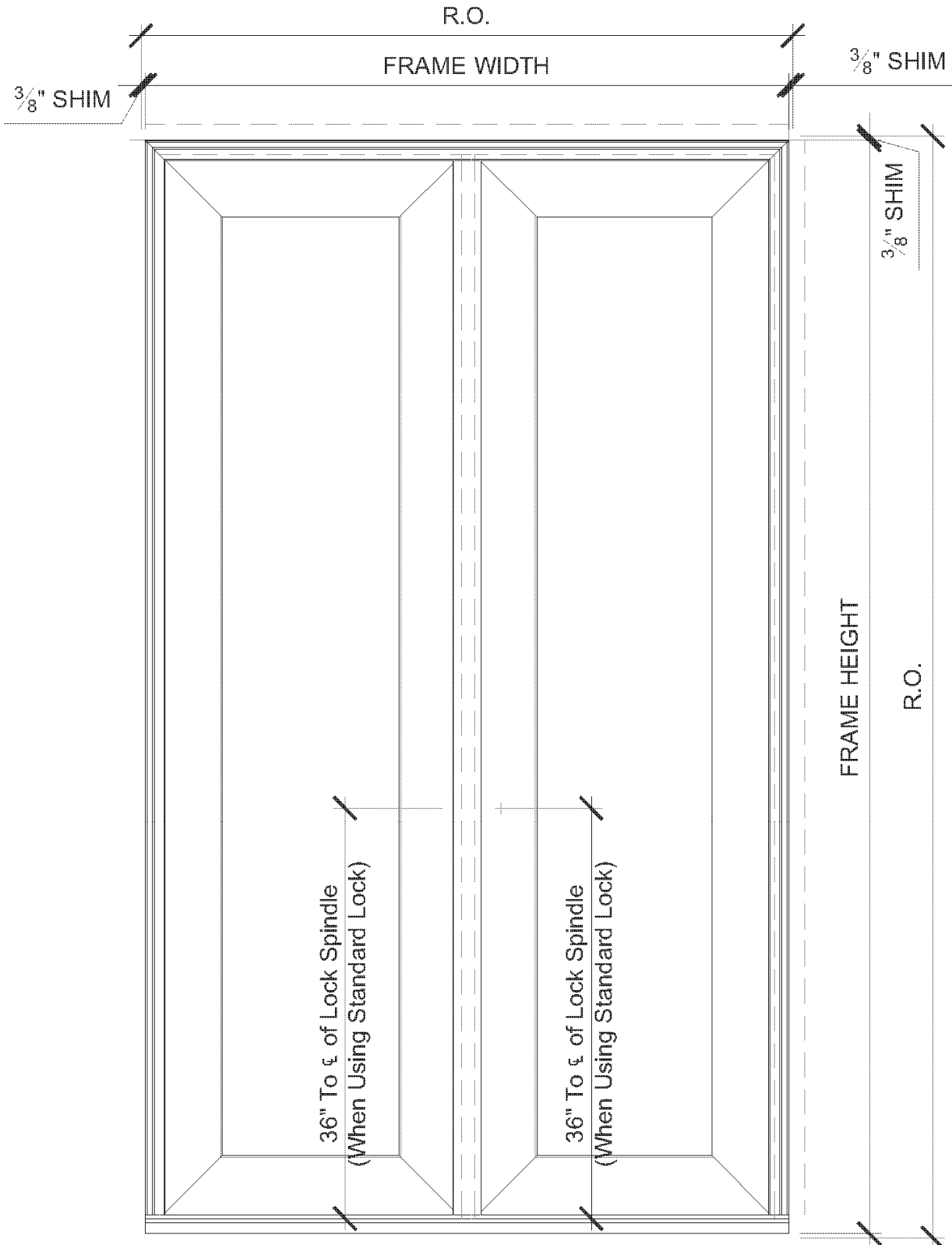
## Product Parameters

<b>Max Frame Height</b>	120"
<b>Max Frame Width</b>	44 1/4"
<b>Min Frame Height</b>	66"
<b>Min Frame Width</b>	20"
<b>Panel Thickness</b>	2-1/2"
<b>Stile Width</b>	5-1/2"
<b>Min Jamb Depth</b>	4-9/16"
<b>Edge Detail</b>	<ul style="list-style-type: none"> <li>• Exterior: Contemporary</li> <li>• Interior: Traditional or Contemporary*</li> </ul> <p>*Adding Contemporary or Traditional grids to the window will require Contemporary edge detail</p>

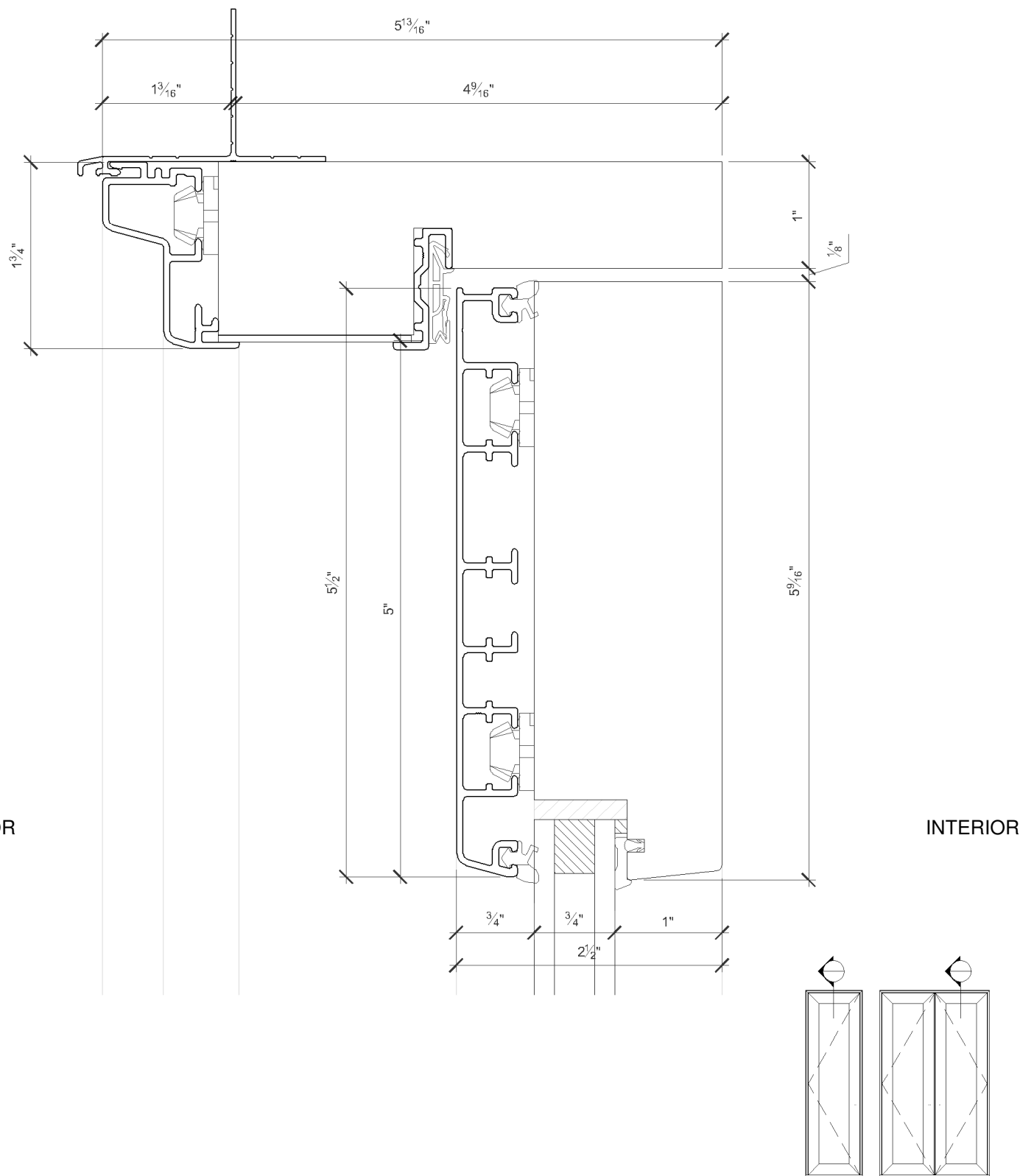
# Single Hinged Inswing: Exterior Elevation



# Double Hinged Inswing: Head Detail



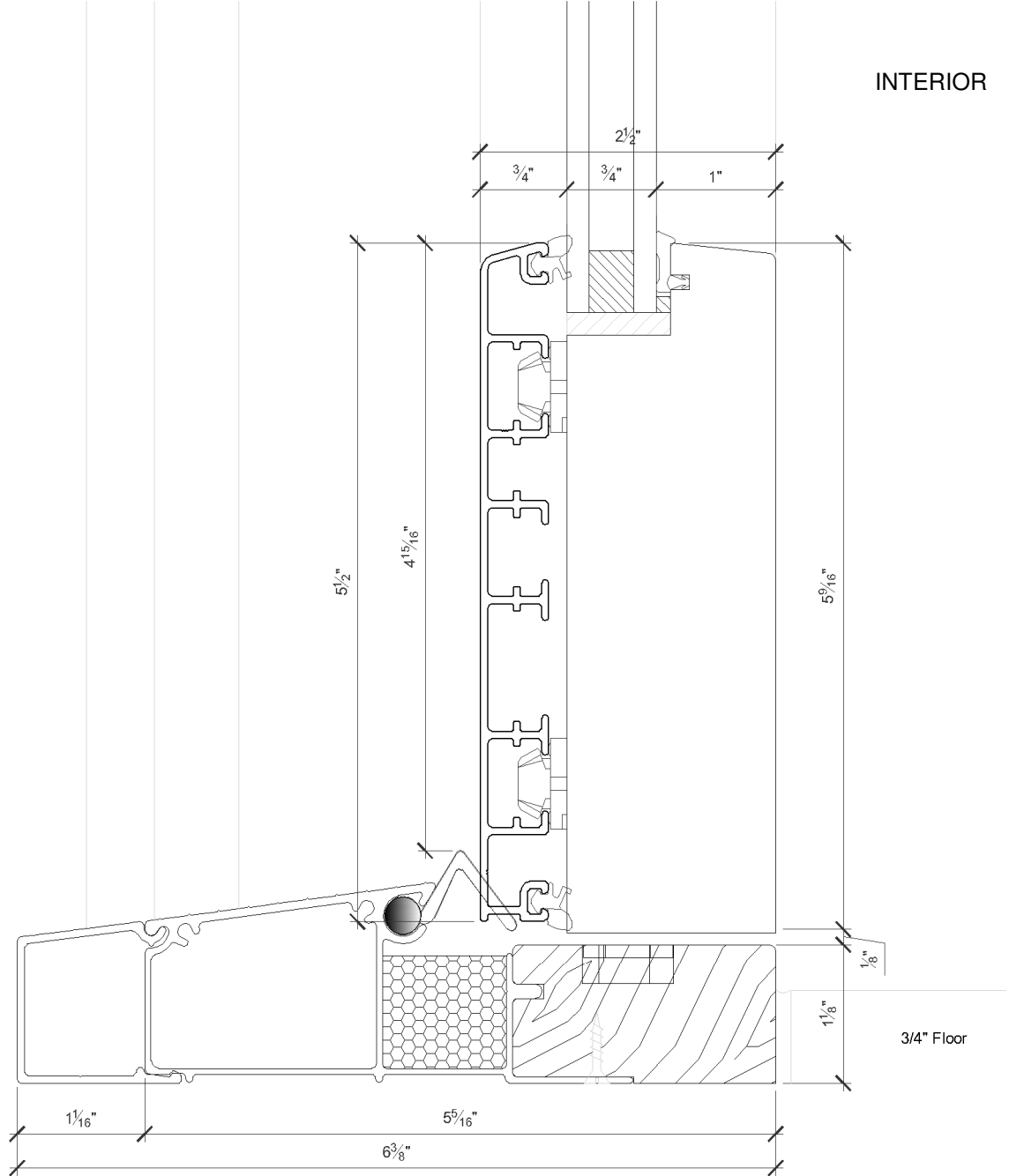
# Inswing: Head Detail



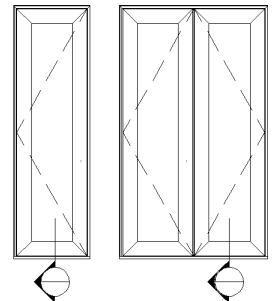
# Inswing: Sill Detail

EXTERIOR

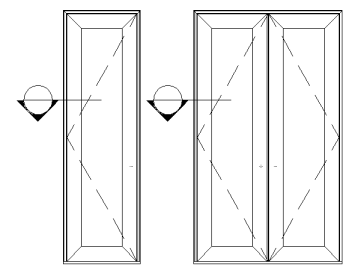
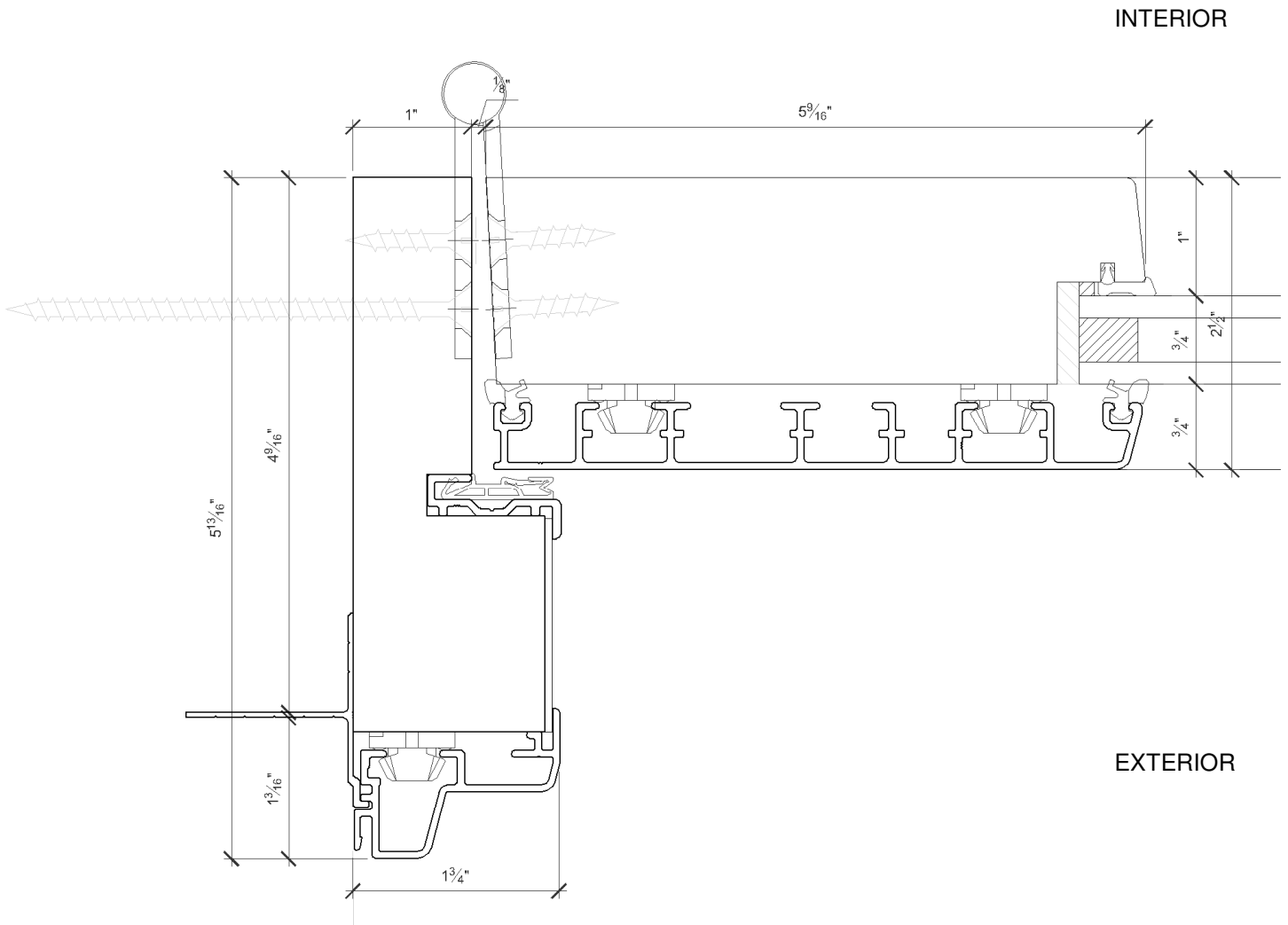
INTERIOR



NOTE: Standard inswing sill detail shown for 4-9/16\" jamb.  
 Available with 1\", 2\" and 3\" extensions for larger jamb depths.

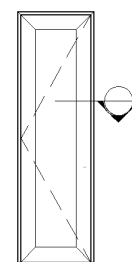
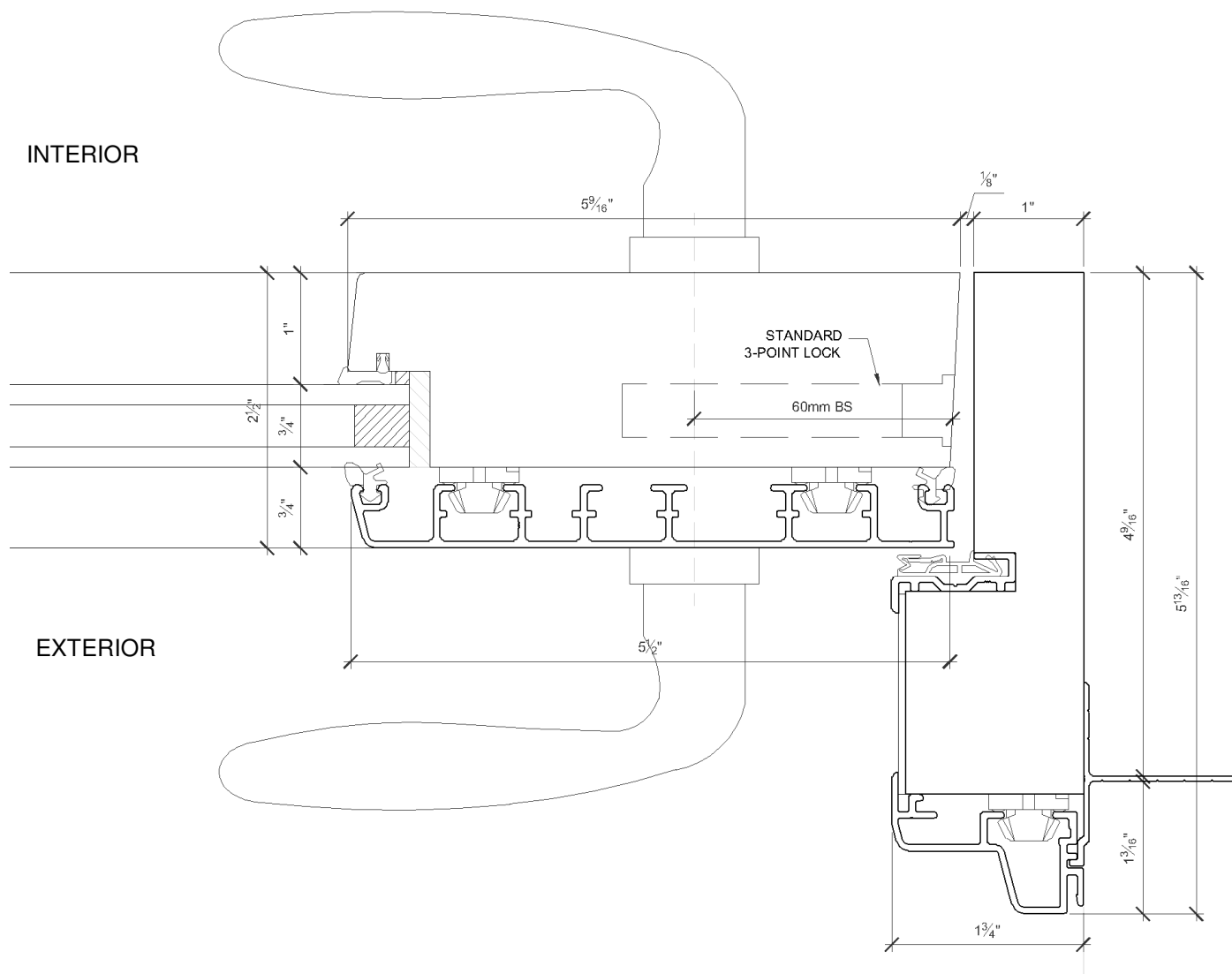


# Inswing: Jamb Detail (Hinge Side)



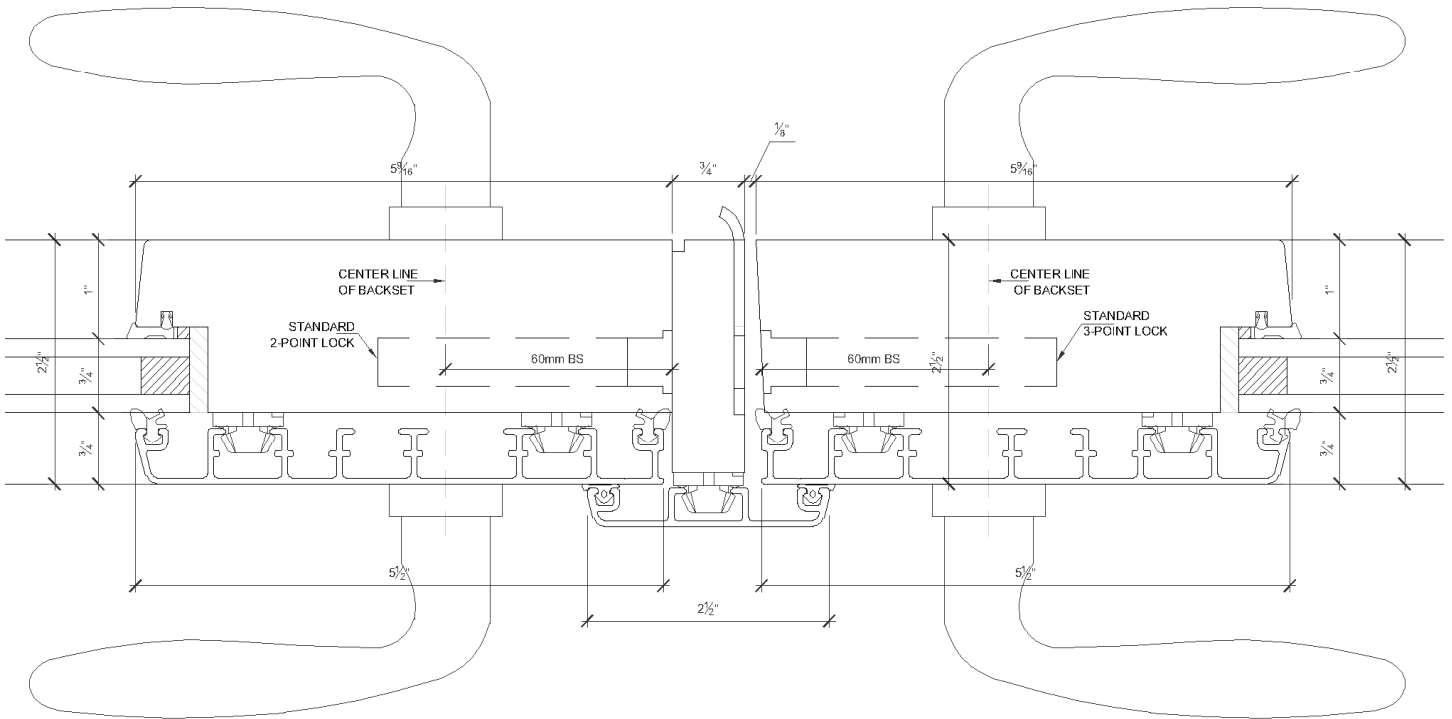


# Inswing: Jamb Detail (Strike Side)

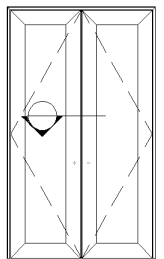


# Inswing: Meeting Detail

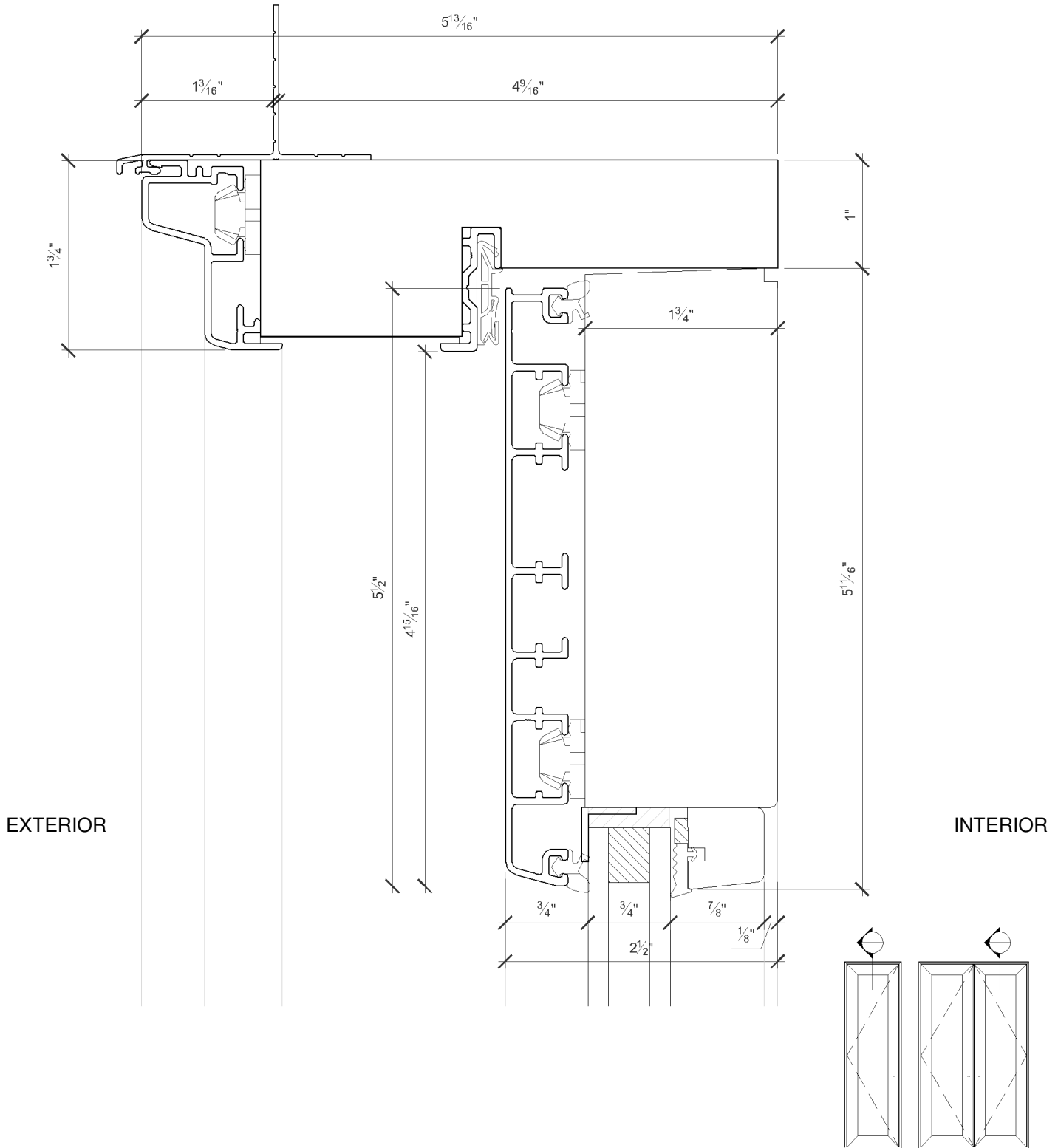
INTERIOR



EXTERIOR



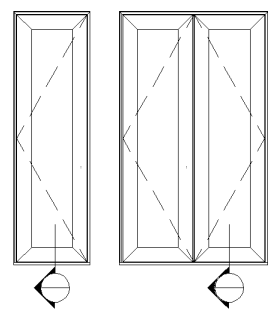
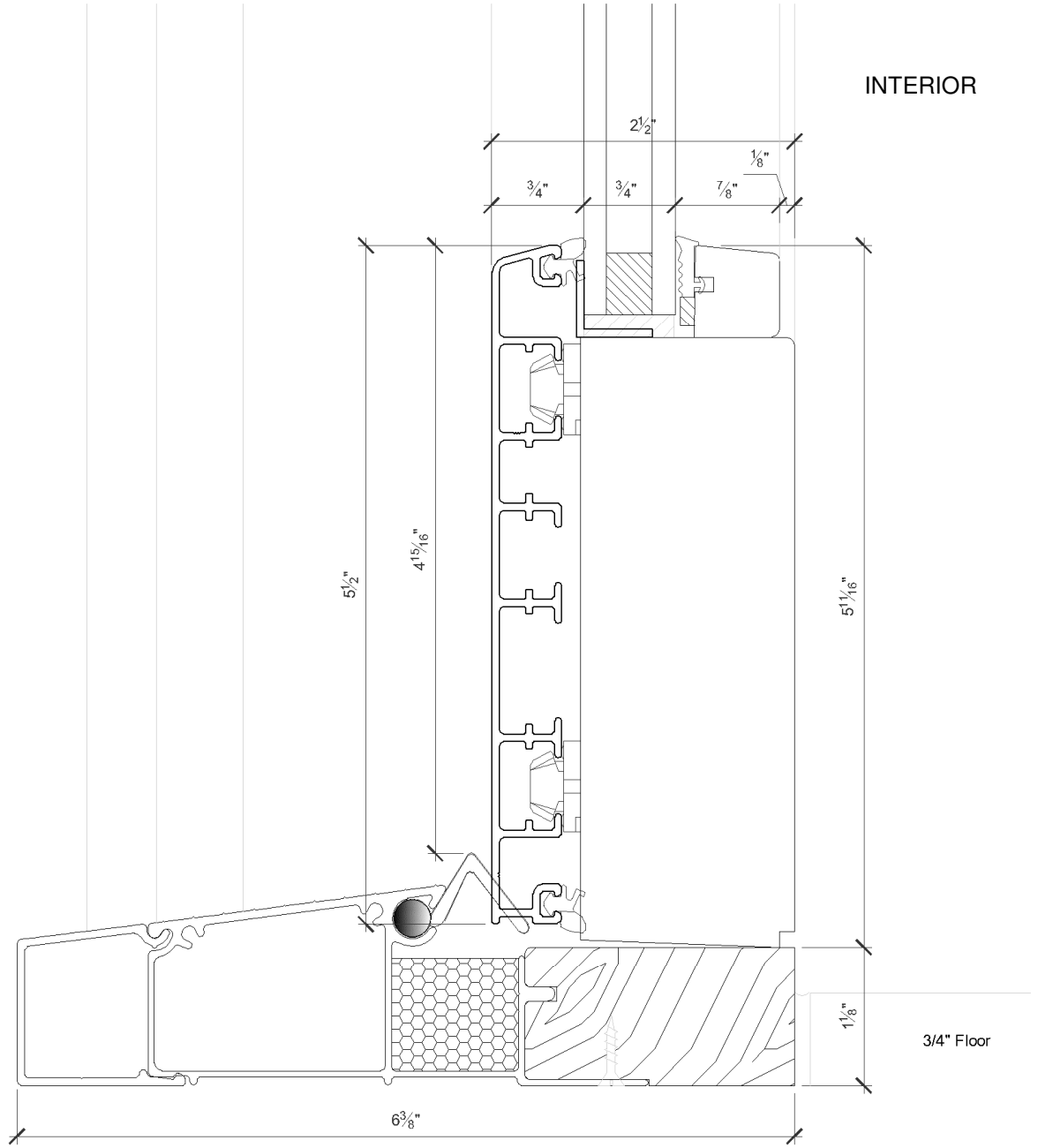
# Fixed Inswing: Head Detail



# Fixed Inswing: Sill Detail

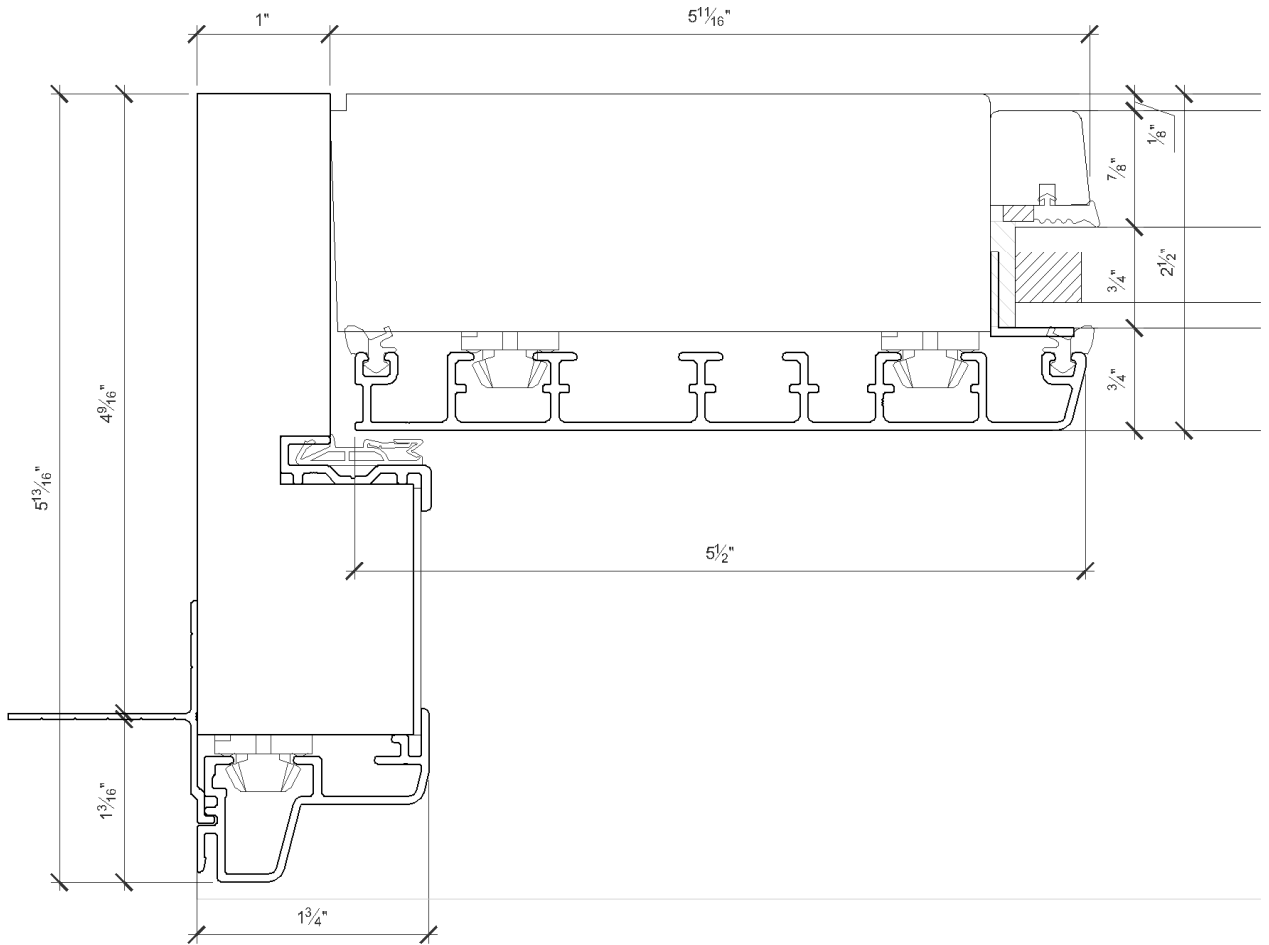
EXTERIOR

INTERIOR

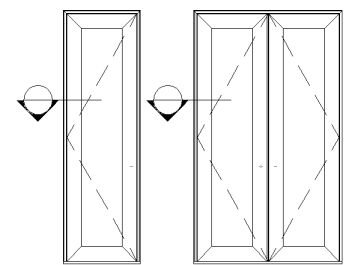


# Fixed Inswing: Typical Jamb Detail

INTERIOR

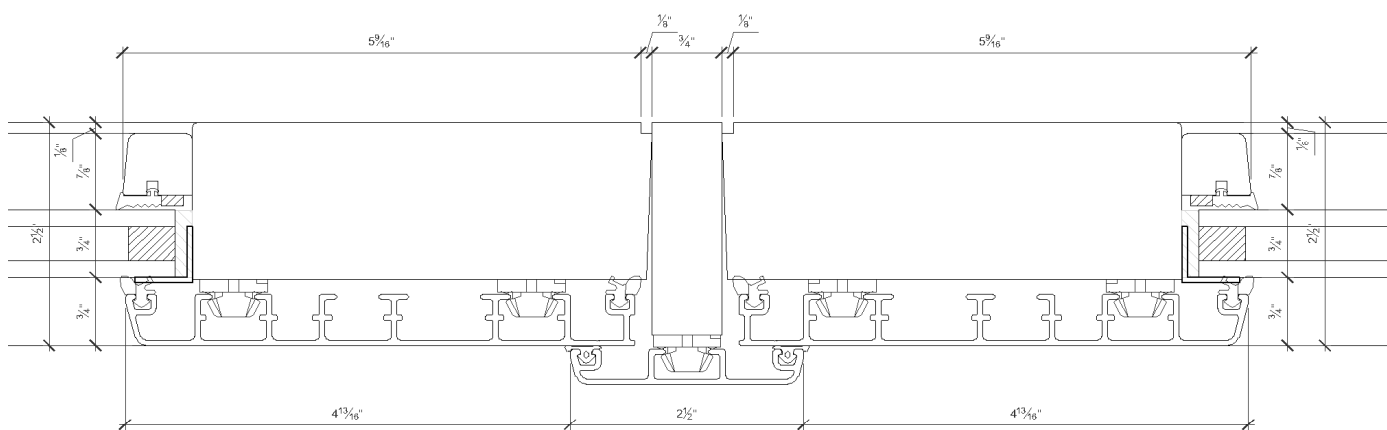


EXTERIOR

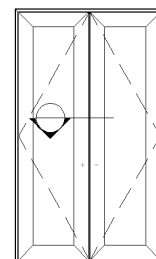


# Fixed Inswing: Meeting Detail

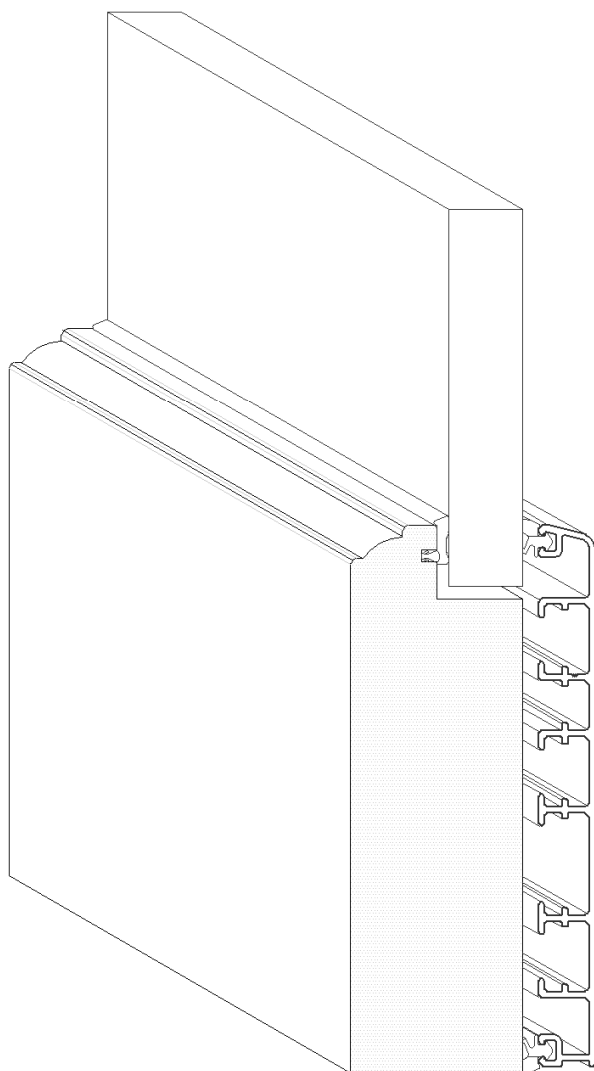
INTERIOR



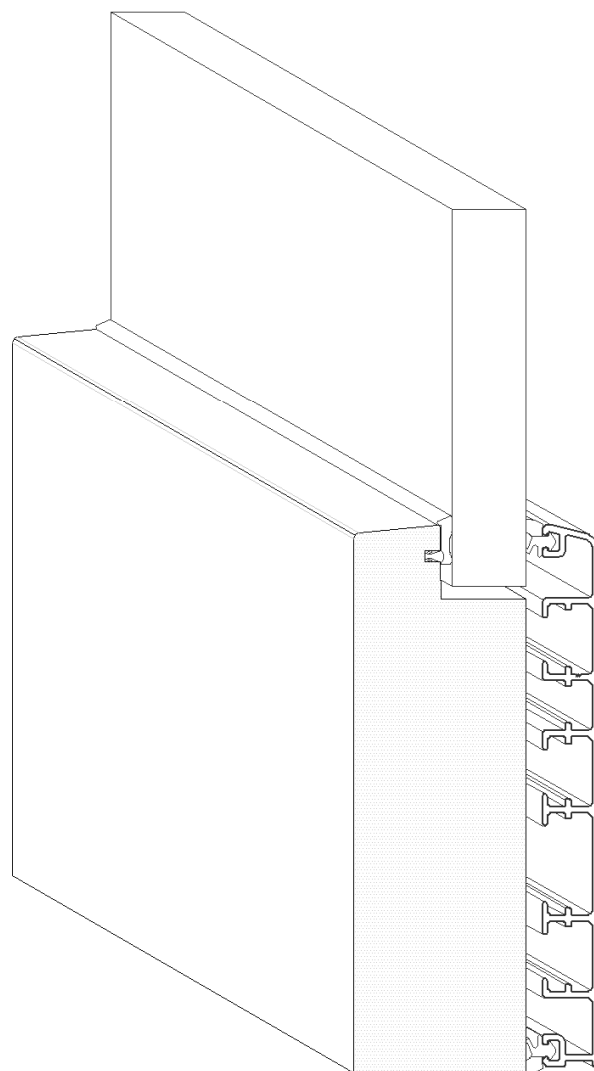
EXTERIOR



# Traditional Vs. Contemporary Stop Detail



TRADITIONAL



CONTEMPORARY

# Contemporary SDL Detail

